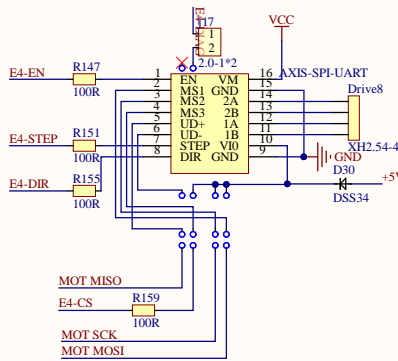
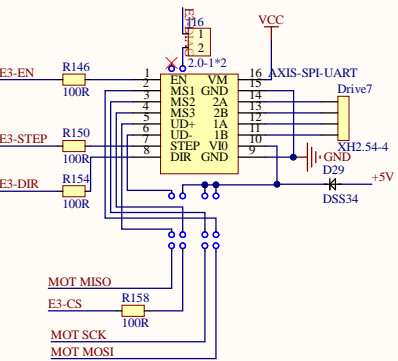
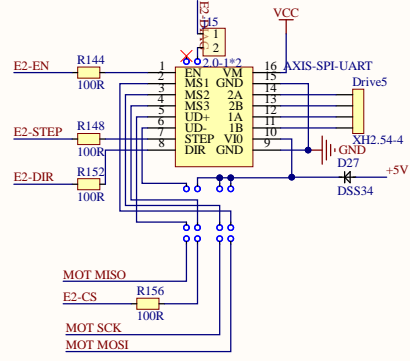
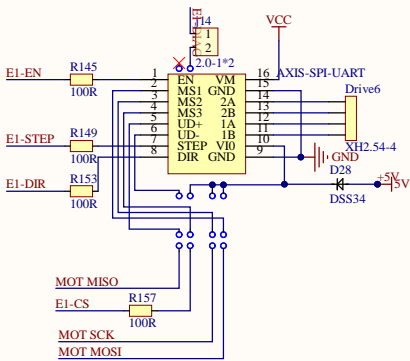
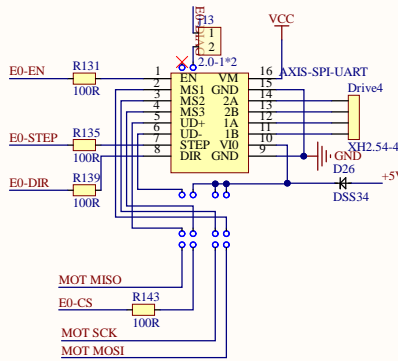
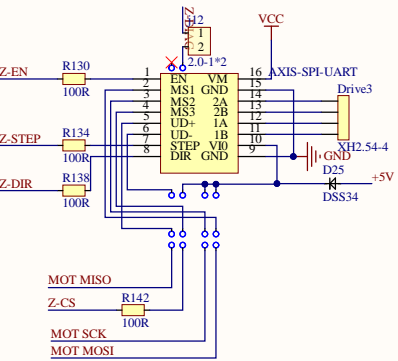
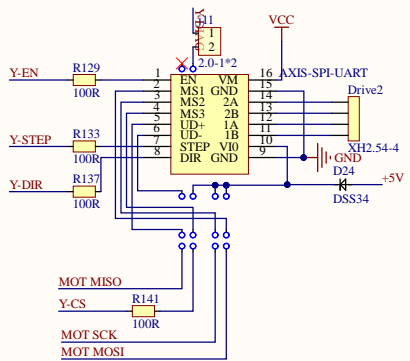
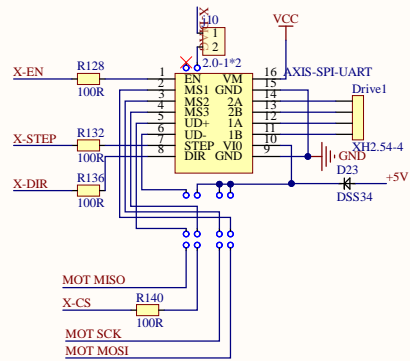
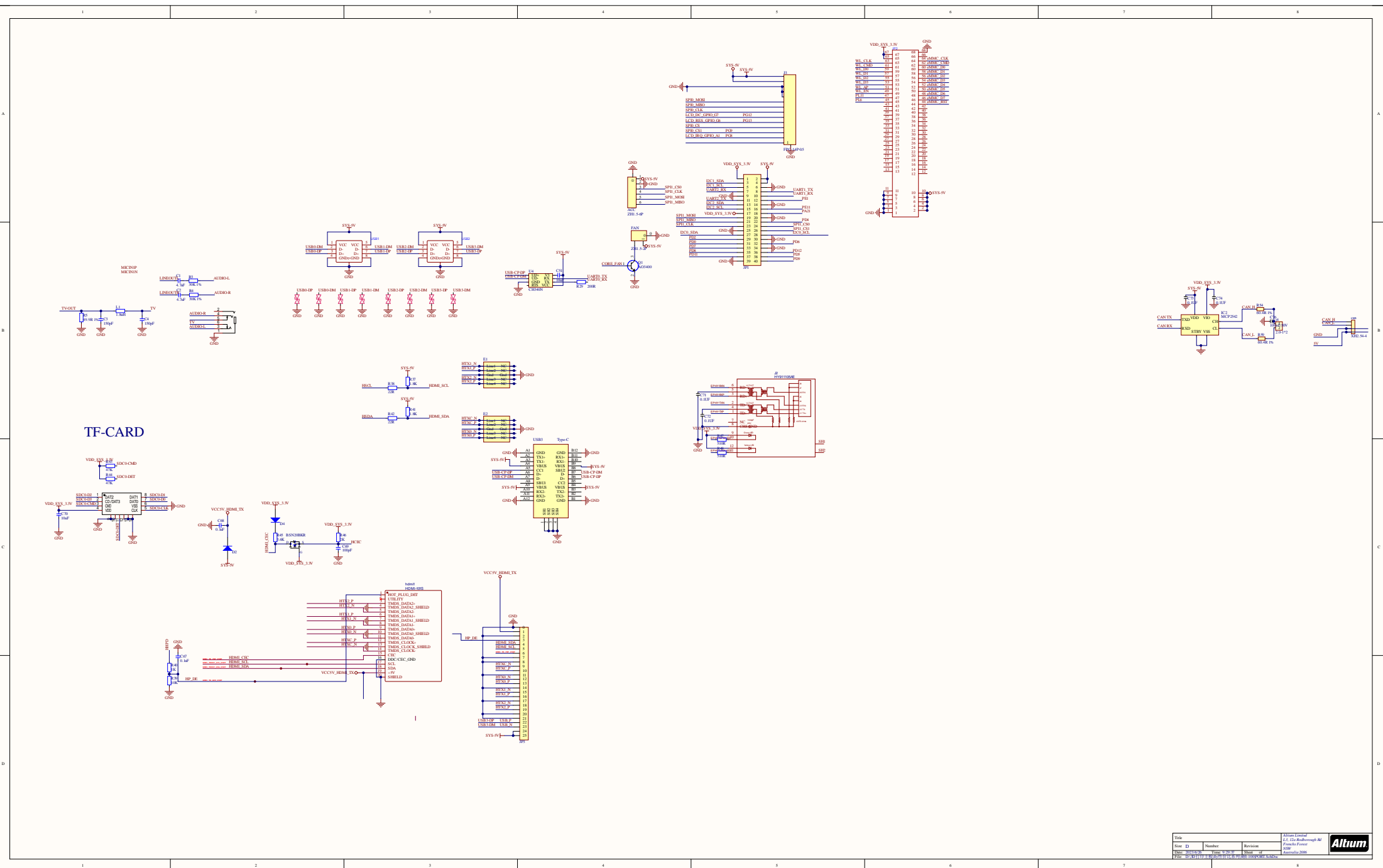


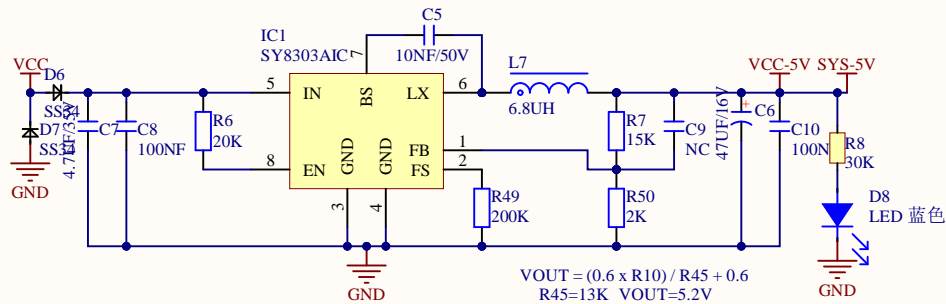
File	Rev	Number	Revision
D:\	01	001	1
File	01	001	1
File	01	001	1



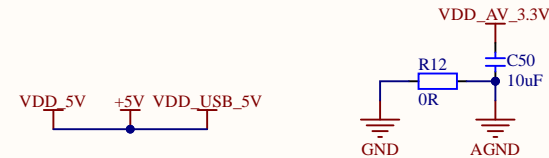
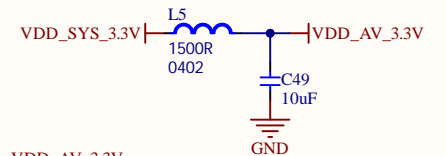
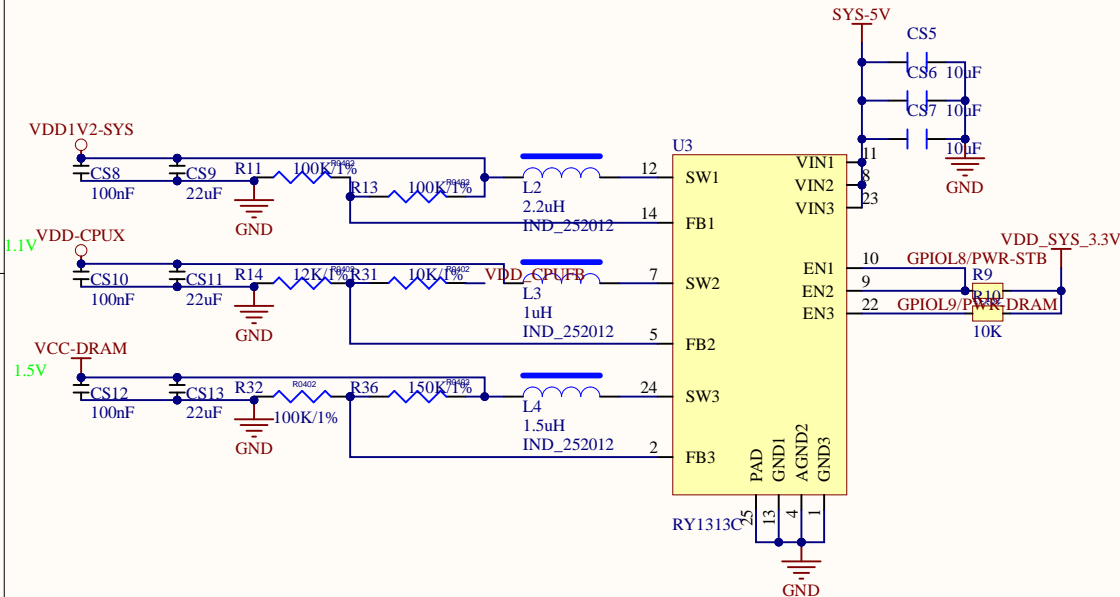
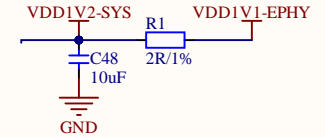
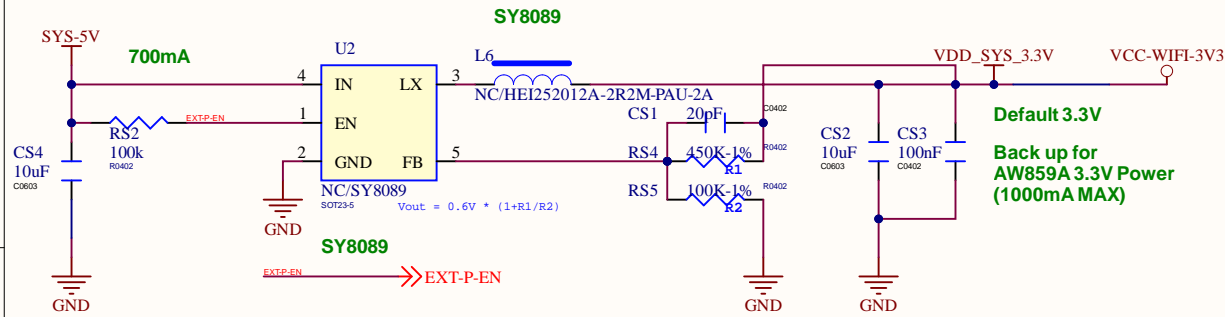
Title		
Size	Number	Revision
A3		
Date:	6/26/2023	Sheet of
File:	D:\3D打印主板(高性价比系列)8轴-100%兼容BS-SchDoc	10/10



TF-CARD



5V TO 3.3V



Title		
Size	Number	Revision
A4		
Date:	6/26/2023	Sheet of
File:	D:\3D打印主板\高性价比系列\8轴-1000\PowerESchDoc	