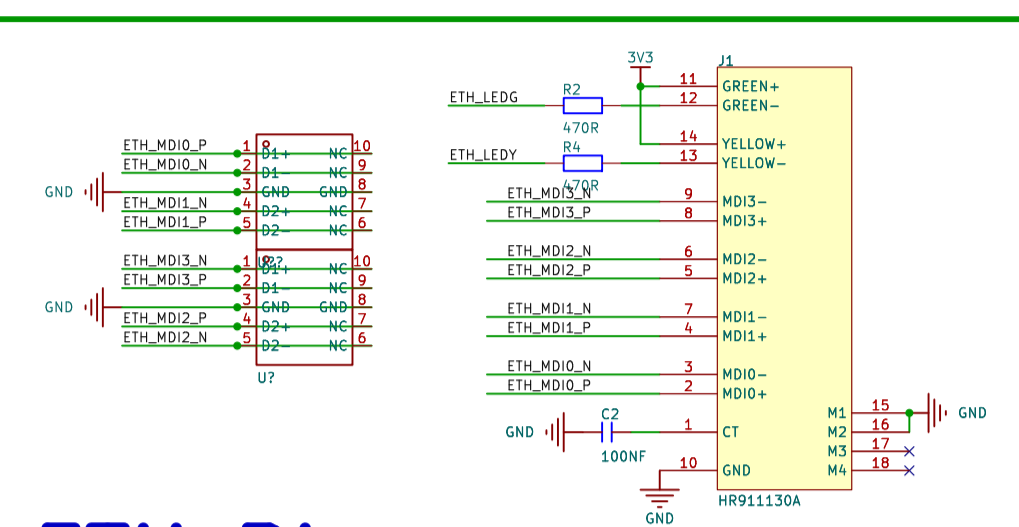
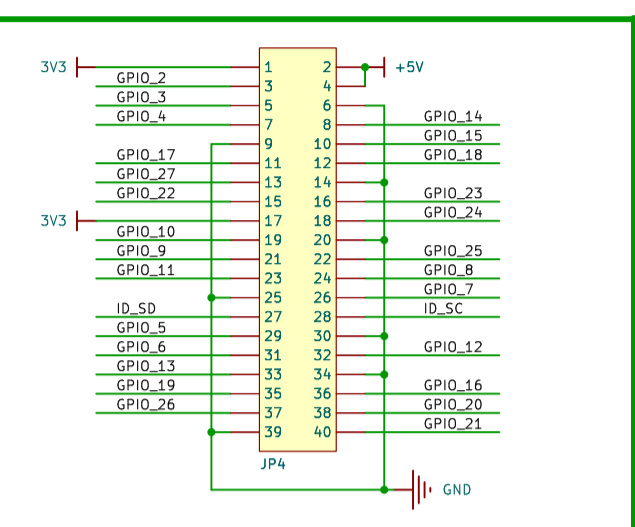


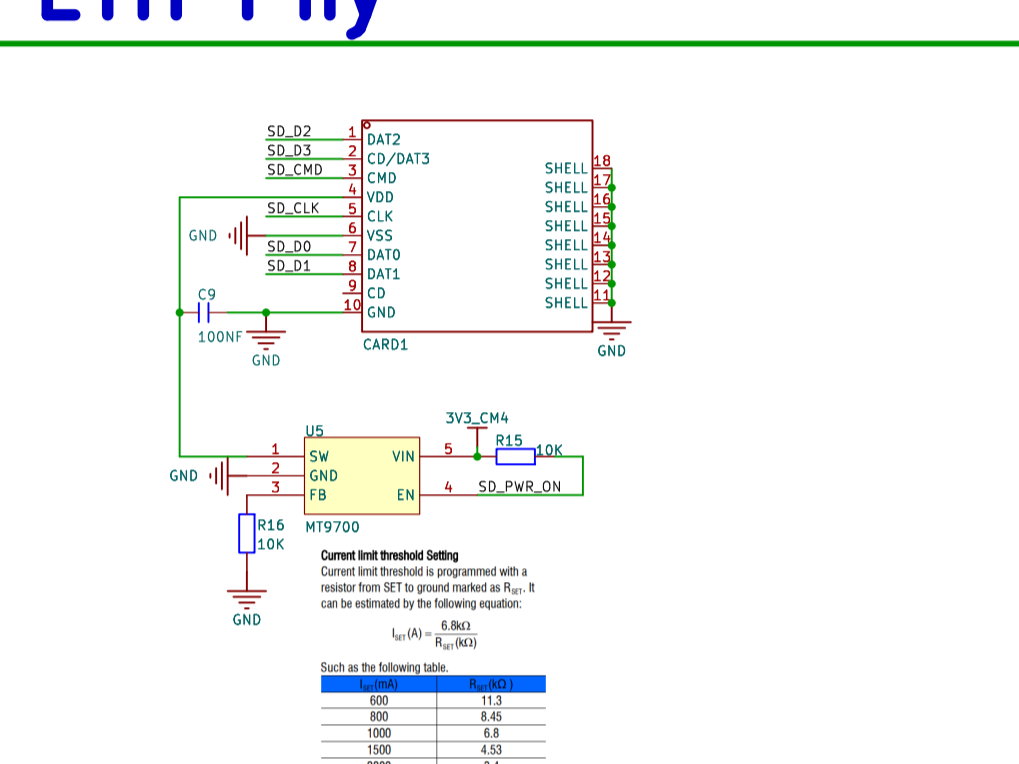
CM4 IO



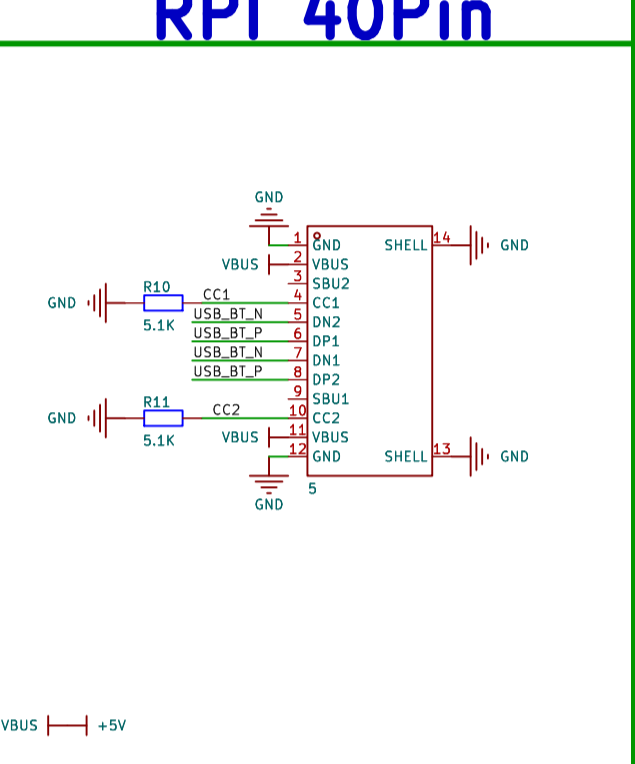
ETH Phy



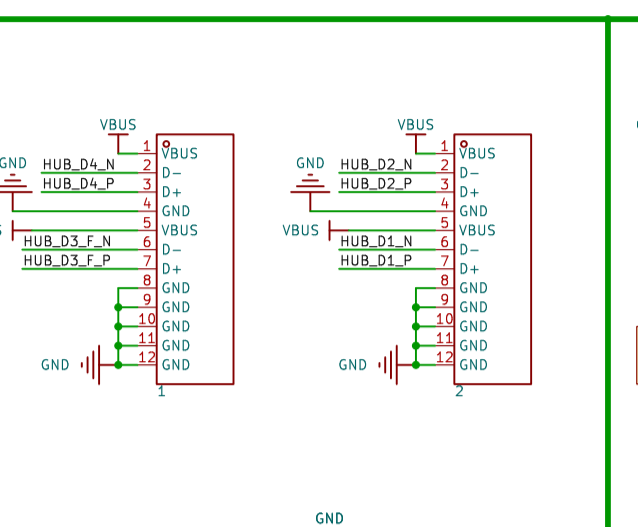
RPI 40Pin



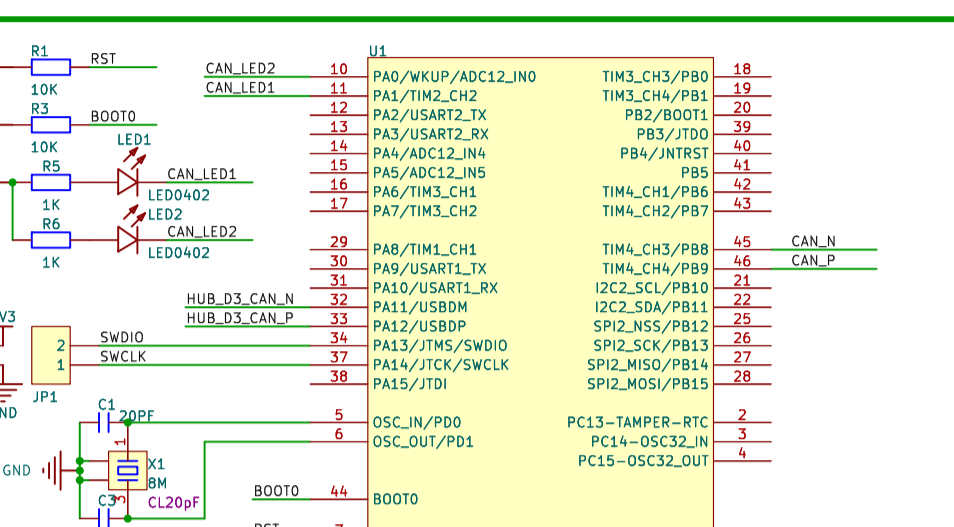
TF Card



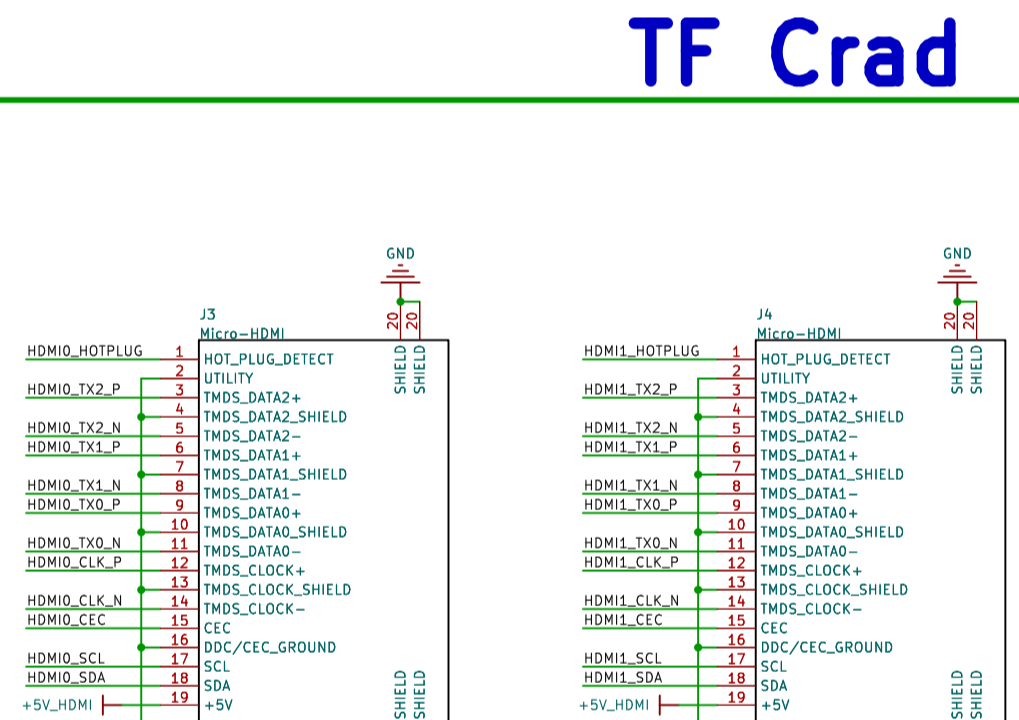
Type-c USB



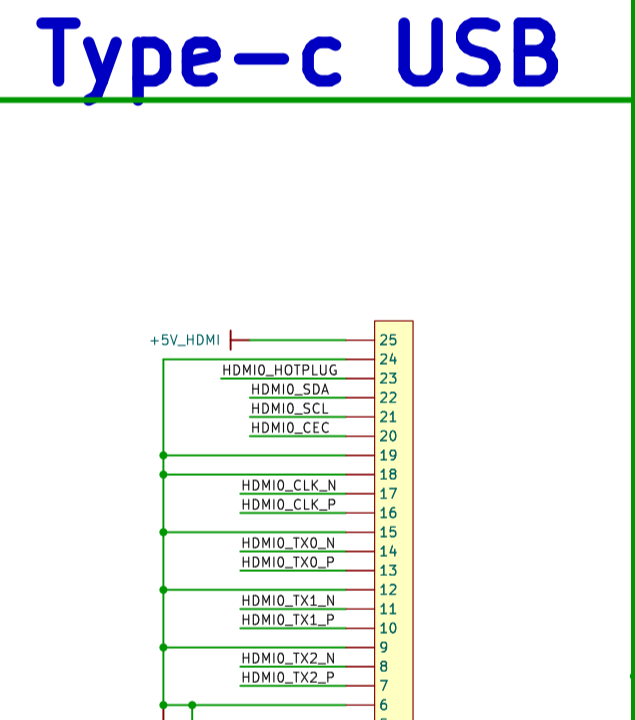
USB HUB



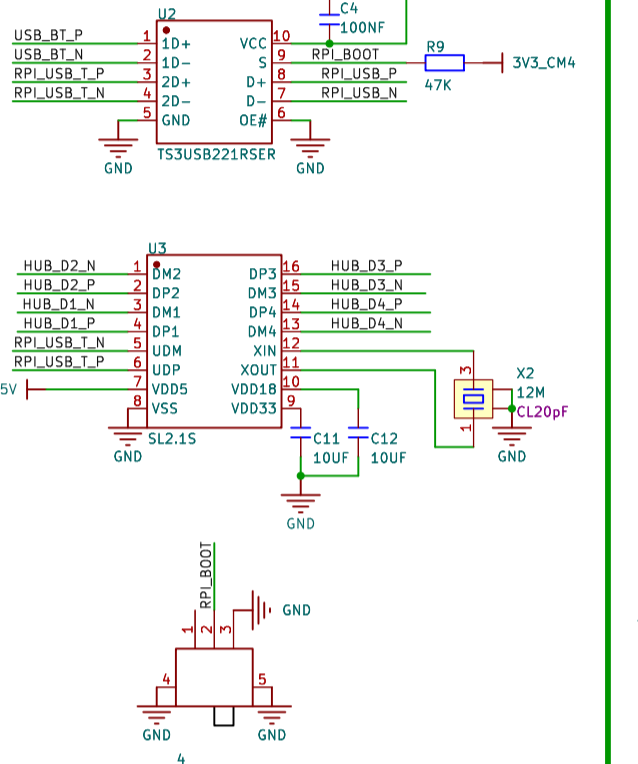
USB 2 CAN



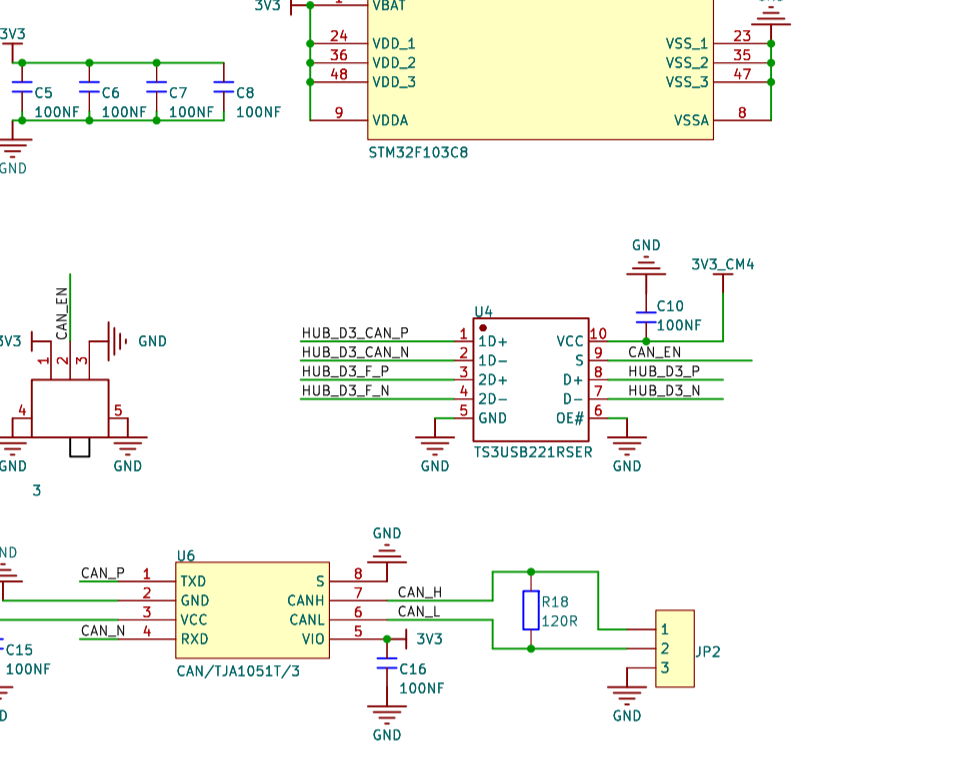
HDMI 0 1



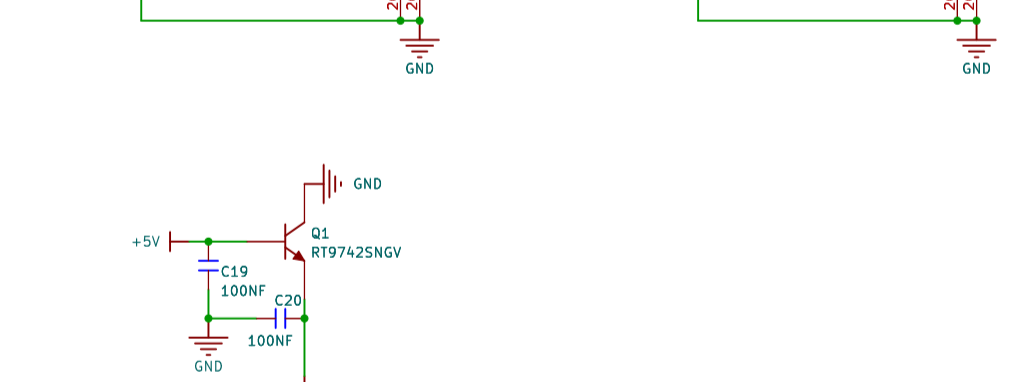
HDMI FPC



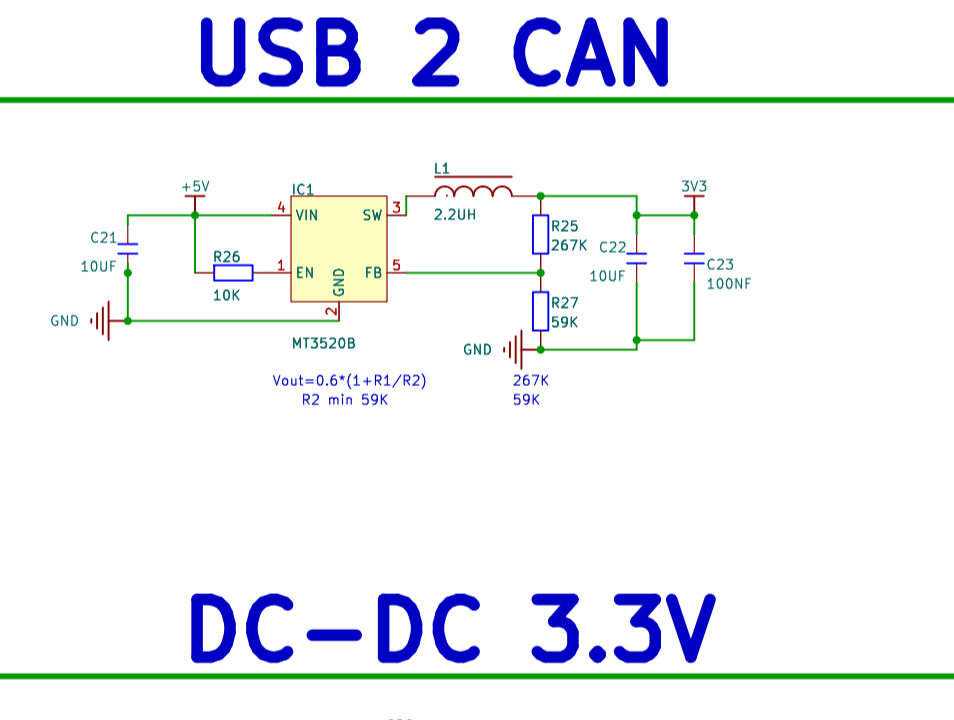
CS1



DC-DC 3.3V



DSI1



DC-DC 24-12V