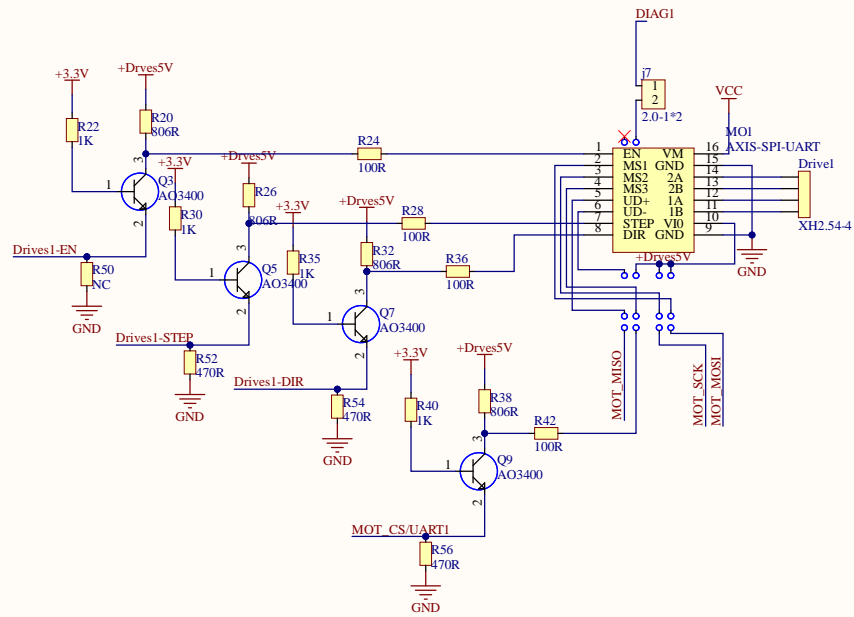
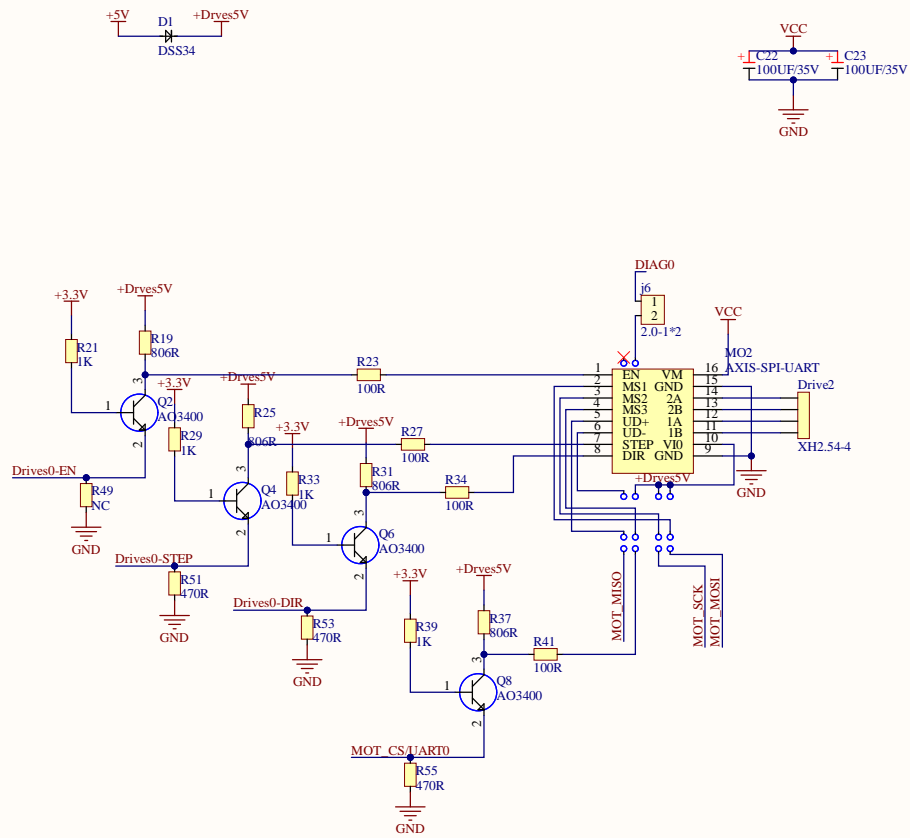


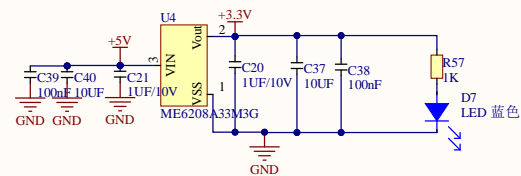
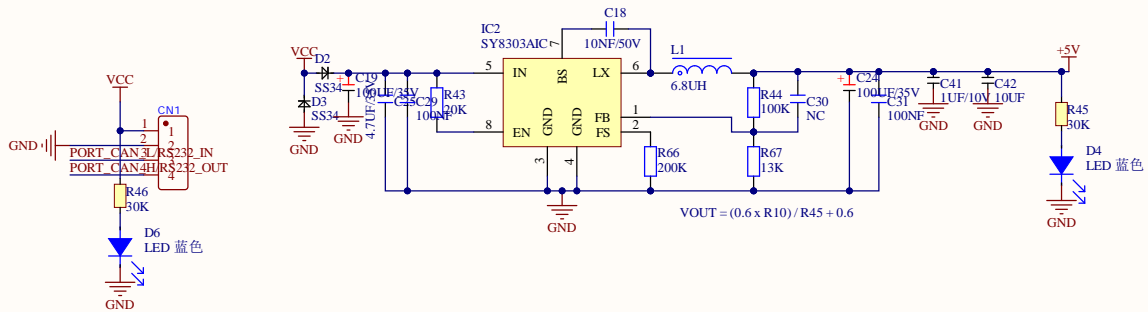
Title			Altium Limited L3, 12a Rodborough Rd Frenchs Forest NSW Australia 2086	
Size: B	Number:	Revision:		
Date: 2024/3/26	Time: 17:46:05	Sheet of		
File: E:\3D打印主板\兔子2040\兔子V2\2040.SchDoc				





Title			Altium Limited L3, 12a Rodborough Rd Frenchs Forest NSW Australia 2086
Size: B	Number:	Revision:	
Date: 2024/3/26	Time: 17:46:05	Sheet of	
File: E:\3D打印主板兔子\2040兔子V2\Drives.SchDoc			





Title			Altium Limited L3, 12a Rodborough Rd Frenchs Forest NSW Australia 2086		
Size: B	Number:	Revision:			
Date: 2024/3/26	Time: 17:46:06	Sheet of			
File: E:\3D打印王枫\兔子\2040兔子V2\POWER.SchDoc					



Comment	Description	Designator	Footprint	LibRef	Quantity
GM3232E		*1	TSSOP16_M	GM3232E	1
100nF/10V		C1, C2, C3, C4, C5, C6, C7, C8, C9, C10, C12, C26, C27	C0402	C	13
2.2UF/10V		C11	C0402	C	1
22PF		C13, C14	C0402	0603C	2
100nF/50V		C16, C17, C28	C0402	0603C, C	3
10NF/50V	无极性贴片电容	C18	C0402	C	1
100UF/35V		C19, C22, C23, C24	6.3*7.7电解电容	电机电容, 降压电容	4
1UF/10V		C20, C21, C41	C0402	C	3
4.7UF/35V	无极性贴片电容	C25	C0603	C	1
100NF	无极性贴片电容, [NoValue]	C29, C31, C32, C33, C34, C35, C36, C38, C39	C0402	C	9
NC	无极性贴片电容	C30	C0402	C	1
10UF		C37, C40, C42	C0402	C	3
XT30PW(2+2)-M艾迈斯, 颜色:黑色, 90°焊板, 弯针		CN1	CONN-TH_4P-XT30PW-M	XT30PW(2+2)-M艾迈斯, 颜色:黑色, 90°焊板, 弯针	1
		CN2	CONN-TH_14P-P2.50_HCTL_HC-XHD-2X7A	HC-XHD-2*7A	1
DSS34	BAT46W	D1	SOD-123	Diode	1
SS34		D2, D3	SOD-123FL2.7-W1.8-LS3.8-RD	1N5821	2
LED 蓝色		D4, D6, D7, D10	0402led	LED 贴片	4
1N5819	BAT46W	D8	SOD-123	Diode	1
XH2.54-4		Drive1, Drive2	XH2.54-4	XH2.54-4	2
120R/100MHZ		H1	R0402	R	1
MCP2542		IC1	TDFN-8_L3.0-W3.0-P0.65-BL-EP	MCP2542	1
SY8303AIC		IC2	SOT23-8N	SY8303AIC	1
2.0-1*2		j5, j6, j7	2.0MM-1*2P -插针	2.0-1*2	3
XH2.54-3		J1, J2, J3, J4	XH2.54-3P	XH2.54-3	4
12MHZ		JZ1	OSC-3225-4P	JZ3225	1
6.8UH	功率屏蔽电感	L1	IND-SMD_L4.0-W4.0	L-CDRH	1
AXIS-SPI-UART		MO1, MO2	AXIS-SPI-UART	AXIS-SPI-UART	2
AO3400		Q1, Q2, Q3, Q4, Q5, Q6, Q7, Q8, Q9, Q10	SOT-23	S8050	10
10K		R1, R2, R8	R0402	0603R	3
27R		R3, R4	R0402	R	2
1M		R5	R0402	0603R	1
1K		R6, R9, R10, R11, R15, R57, R60, R61, R62	R0402	0603R, R	9
806R		R7, R14	R0402	R	2
1.5K		R17, R18	R0402	R	2
806R		R19, R20, R25, R26, R31, R32, R37, R38	0603	R	8
1K		R21, R22, R29, R30, R33, R35, R39, R40	0603	R	8
100R		R23, R24, R27, R28, R34, R36, R41, R42	0603	R	8
20K	贴片电阻	R43	R0402	R	1
100K	贴片电阻	R44	R0402	R	1
30K		R45, R46	R0402	R	2
60.4R 0.1%		R47, R48	R0402	0603R	2
NC		R49, R50	0603	R	2
470R		R51, R52, R53, R54, R55, R56	0603	R	6
4.7K		R65	R0402	R	1
200K	贴片电阻	R66	R0402	R	1
13K	贴片电阻	R67	R0402	R	1
PTS810SJG250SMTR LFS		SW1	SW-SMD_4P_PTS810SJM250SMTRLFS	PTS810SJG250SMTR LFS	1
SS-3390S-L0		SW2, SW3	SW-SMD_6P-P2.50_L3.5-W7.2	SS-3390S-L0	2
		U1	RP2040	RP2040	1
		U2	SOIC-8_L5.3-W5.3-P1.27-LS8.0-BL	W25Q16JVSSIQ	1
ME6208A33M3G		U4	SOT23-3	SOT23-3	1
TYPEC-304-BCP16		USB1	USB-C-SMD_TYPEC-304-BCP16	TYPEC-304-BCP16	1