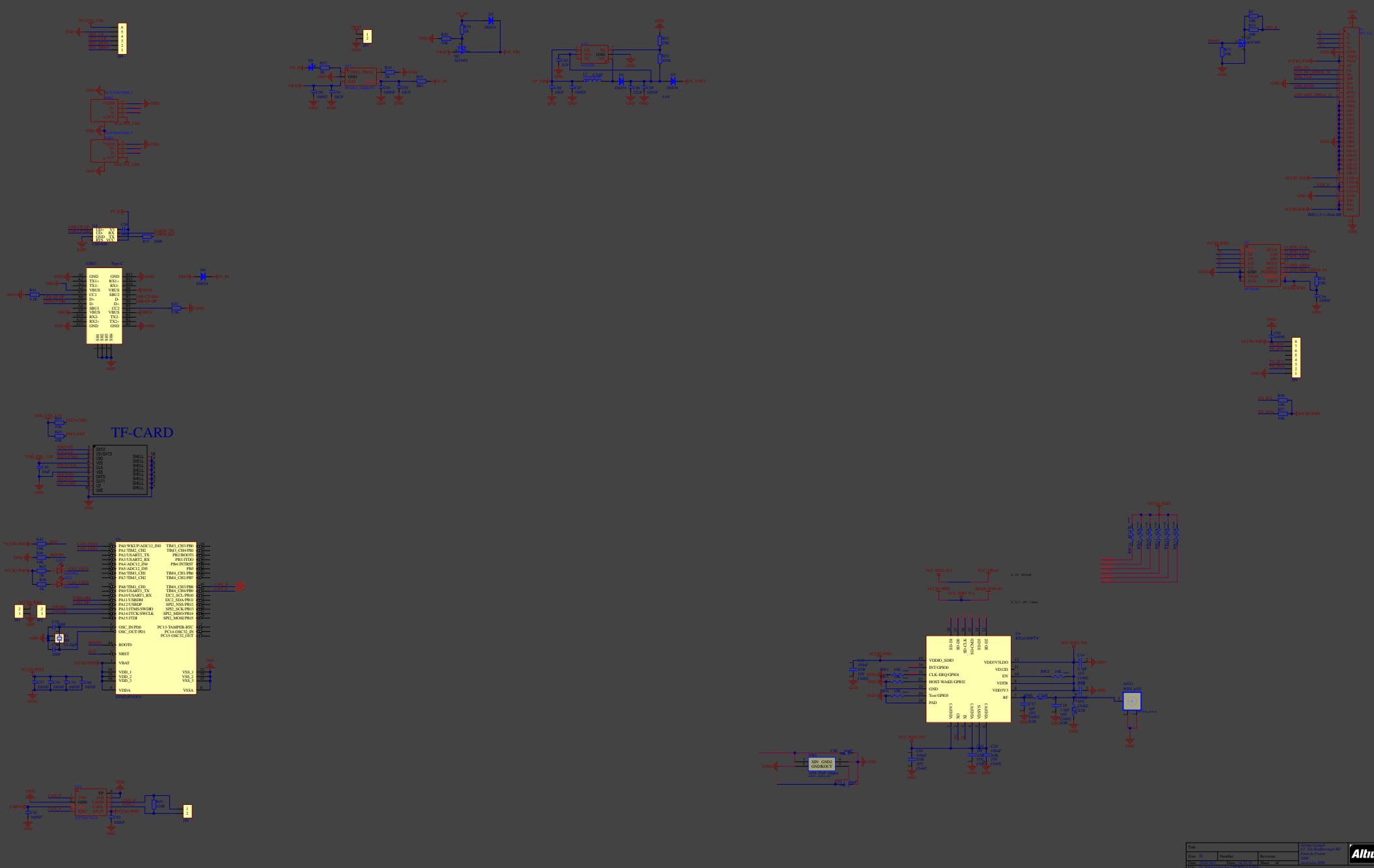
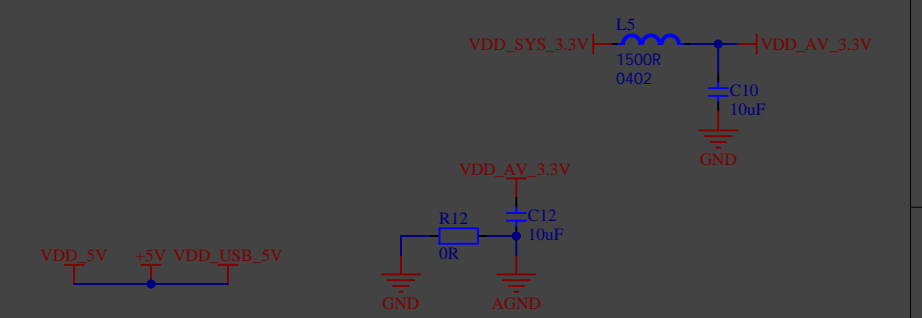
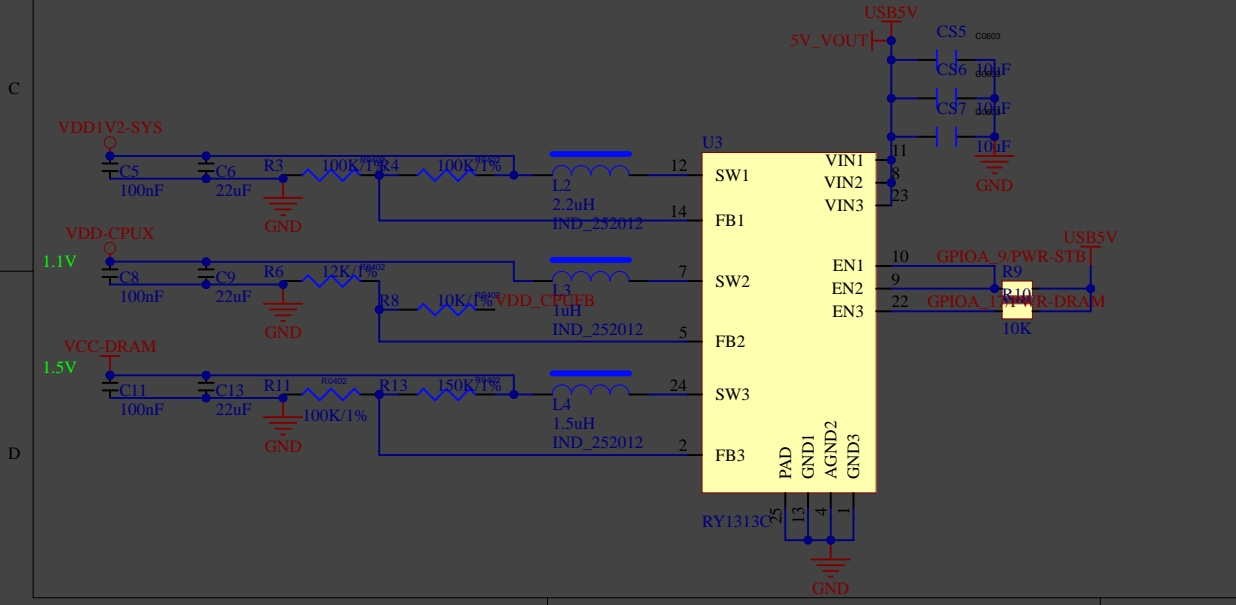
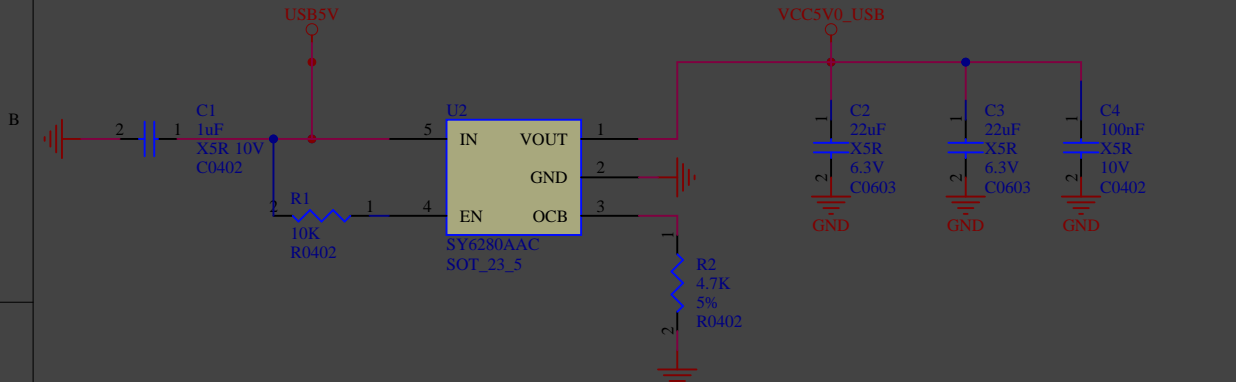
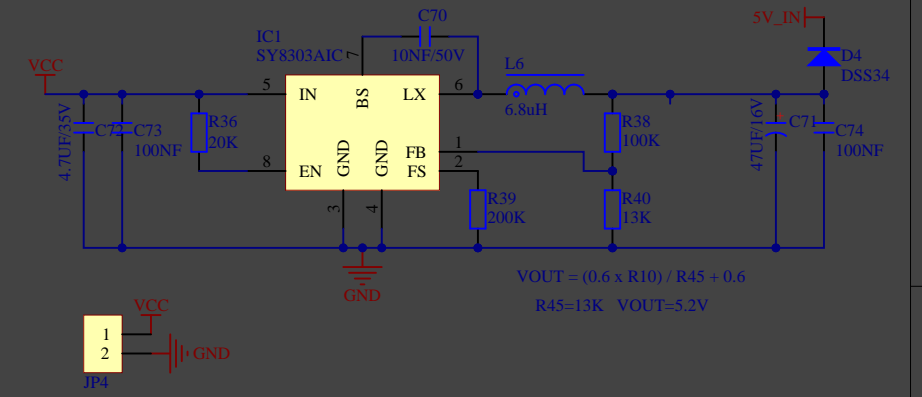
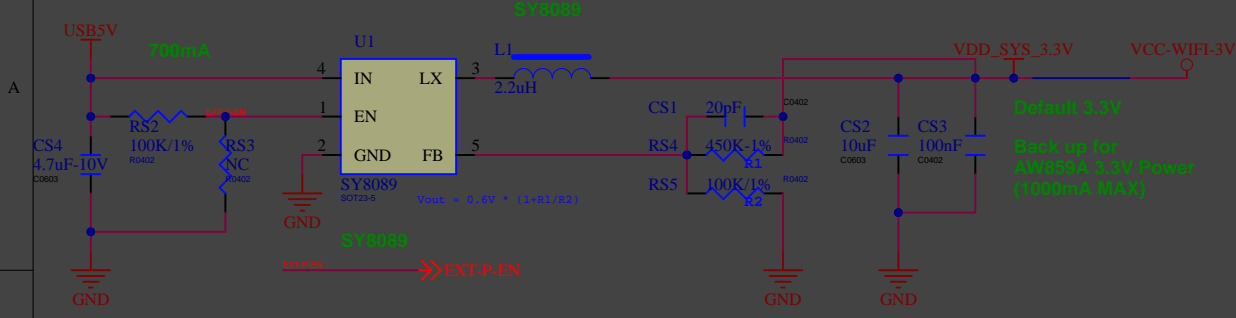


Rev	Author	Checked
1.0		
1.1		
1.2		
1.3		
1.4		
1.5		
1.6		
1.7		
1.8		
1.9		
2.0		



5V TO 3.3V



Title		
Size	Number	Revision
A4		
Date:	10/01/2024	Sheet of
File:	D:\Altium\p\π-lite2\Power.SchDoc	Drawn By: