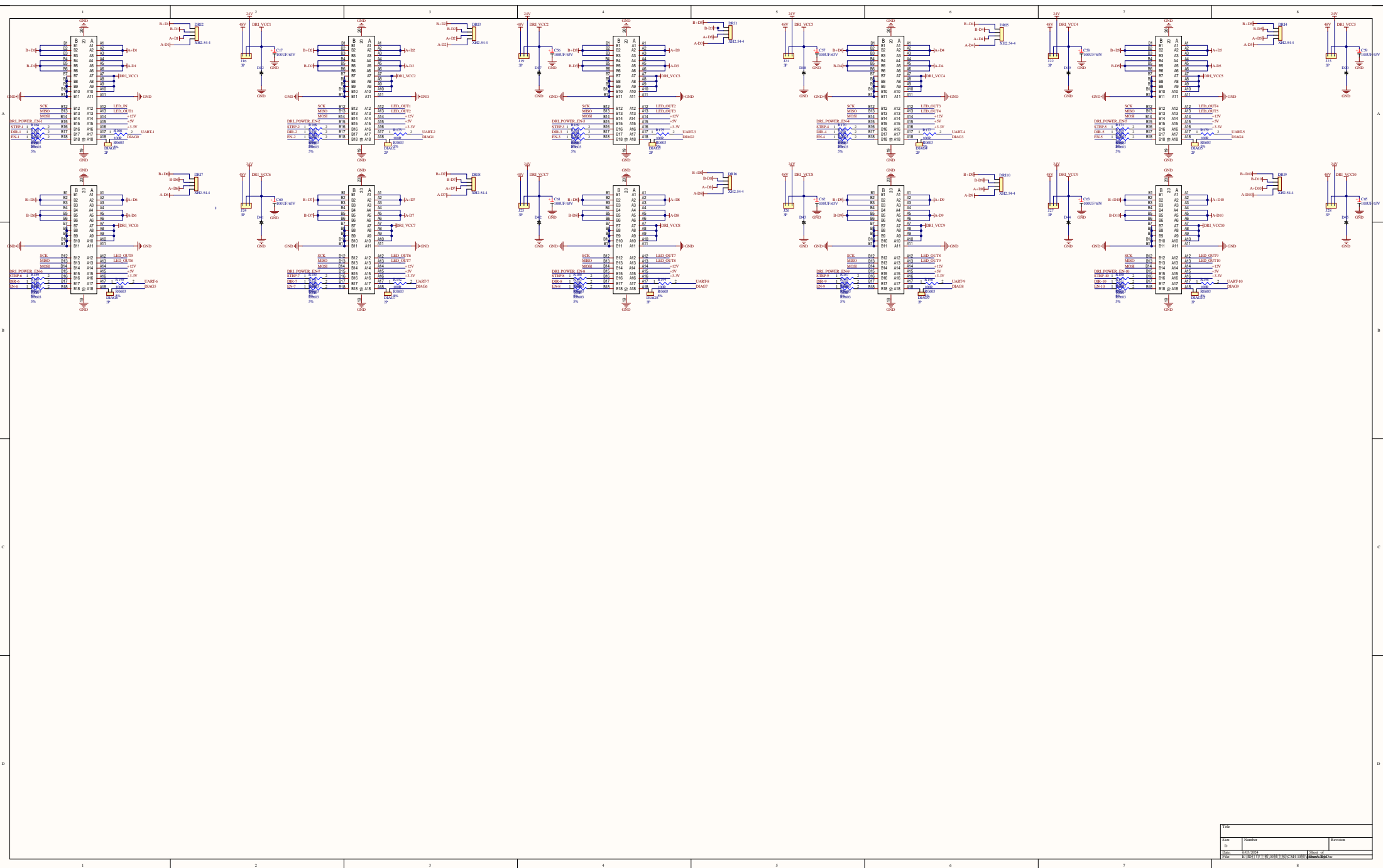
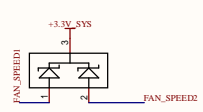
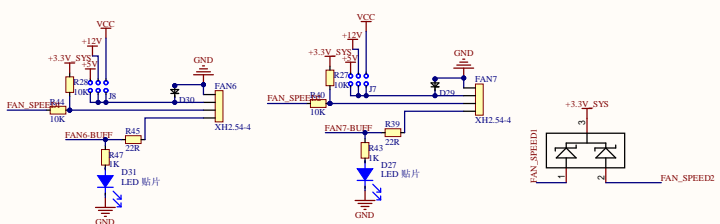
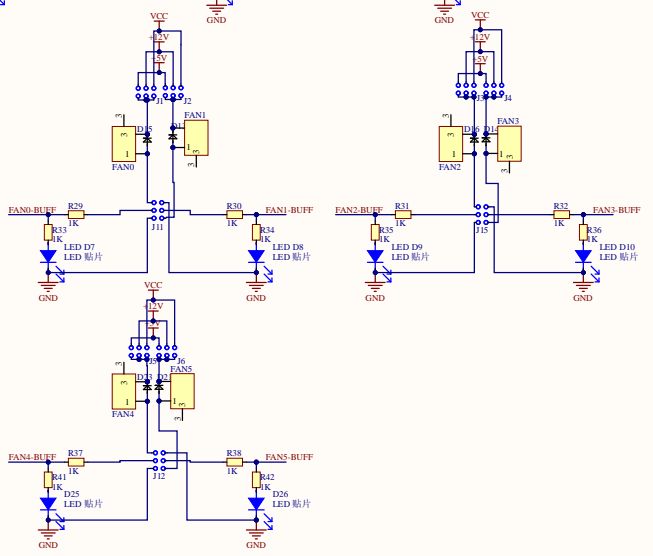
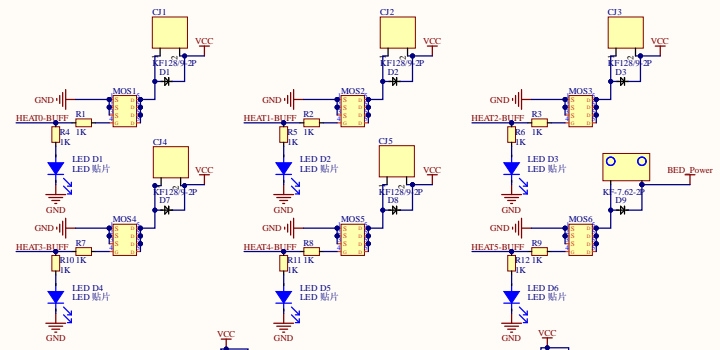
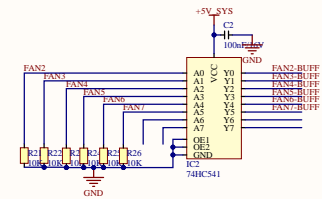
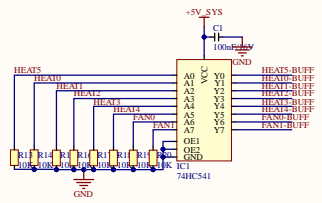
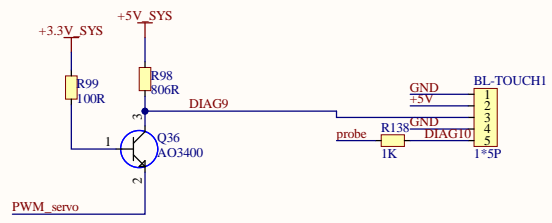
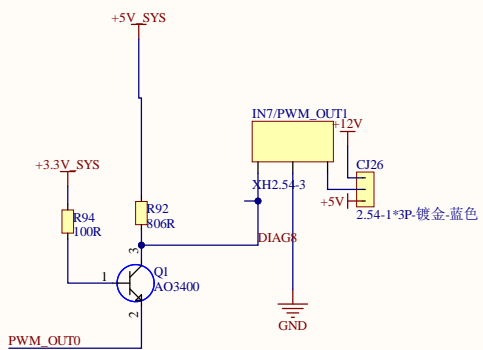
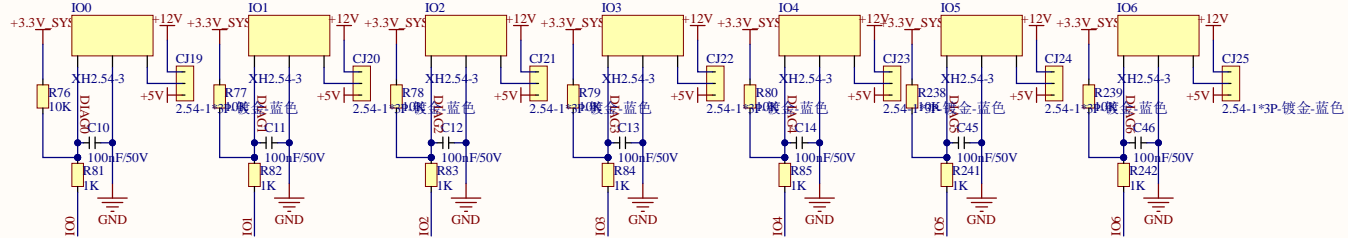
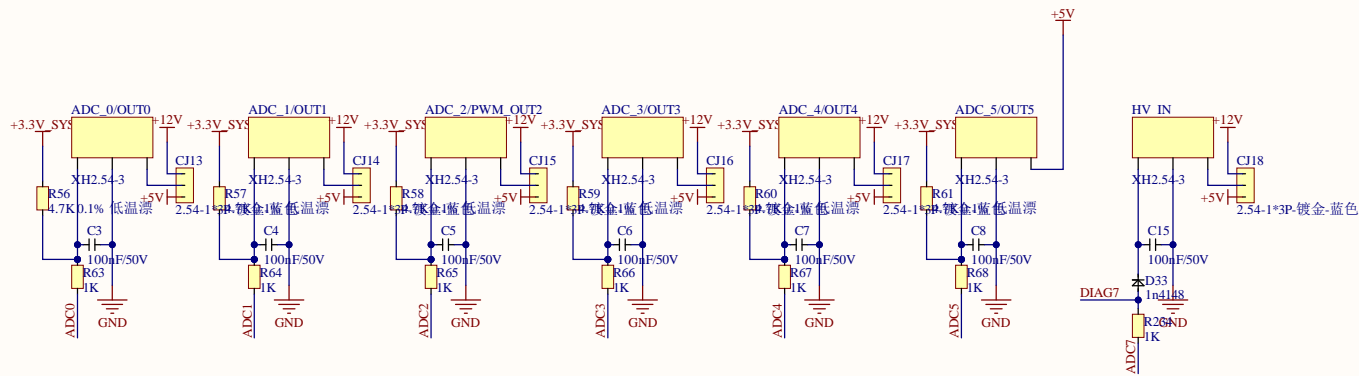


Title		
Size	Number	Revision
A4		
Date:	6/03/2024	Sheet of
File:	E:\3D打印主板\10轴主板\CM4-10轴\CM4-10轴.Dwg	



No.	Number	Revision
1	001	1.0
2	002	1.1
3	003	1.2
4	004	1.3
5	005	1.4
6	006	1.5
7	007	1.6
8	008	1.7

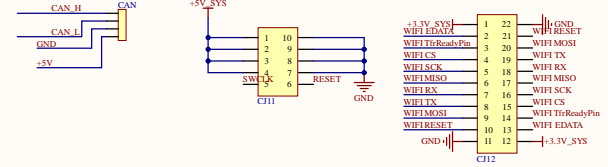
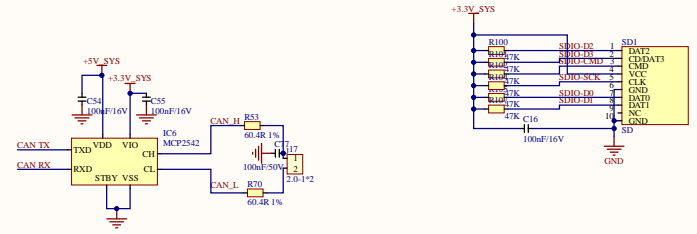




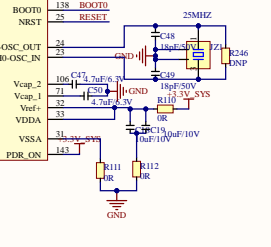
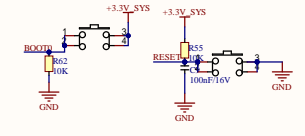
Title			Altium Limited
Size: B			L3, 12a Rodborough Rd
Number:	Revision:		Frenchs Forest
Date: 2024/6/3	Time: 12:24:54	Sheet of	NSW
File: E:\3D打印主板\10轴主板\cm4-10轴\io_in_out.SchDoc			Australia 2086

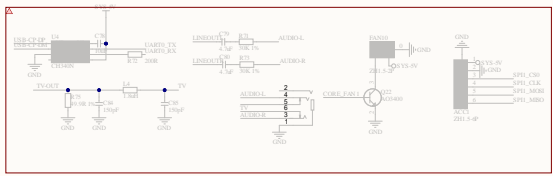


screen  
RX  
TX  
VSS  
VDD  
XHZ.54.4

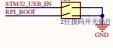
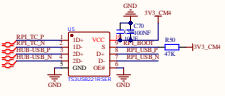
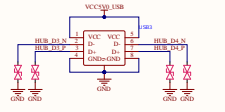
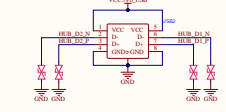
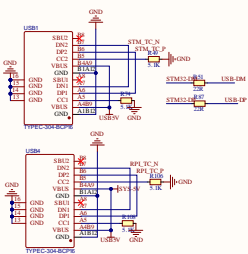
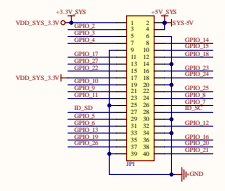
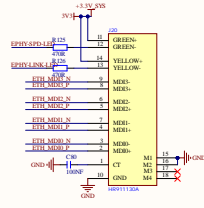
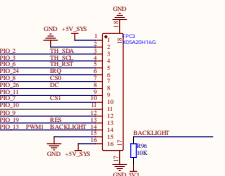
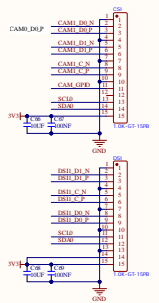
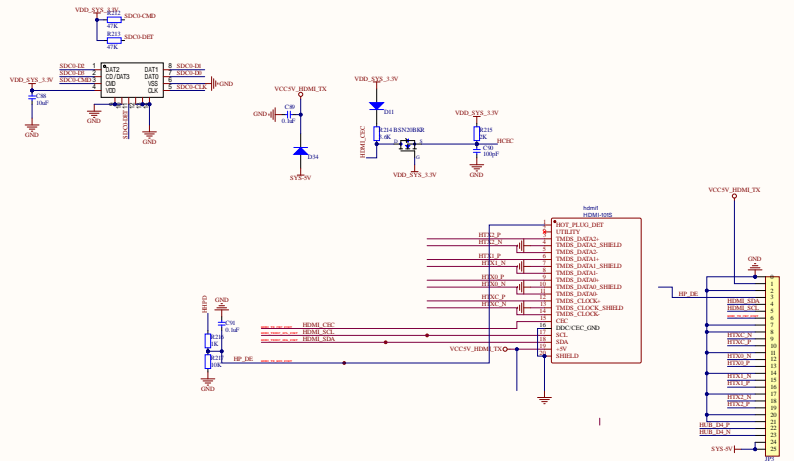


STEP.6	1	PE2/TRACECLK_FSMC_A23/ETH_MIL_TXD3	FSMC_NBL1/DCM1_D3 PE1	147	STEP.9
STEP.7	2	PE3/TRACED0_FSMC_A19	TM4_ETR_FSMC_NBL0/DCM1_D2 PE0	144	STEP.10
STEP.8	3	PE4/TRACED1_FSMC_A20/DCM1_D4	TM4_CH4/TIM11_CH1/CAN1_RX/SDIO_D5/SP2_NSS/CLK1/SDA/DCM1_D7/TS2/SW_P89	140	CAN TX
HEAT.4	4	PE5/TRACED2_FSMC_A21/TM9_CH1/DCM1_D6	TM4_CH3/TM10_CH1/CAN1_RX/SDIO_D4/ETH_MIL_TXD3/DC1_SCL/DCM1_D6 PB8	139	CAN RX
HEAT.5	5	PE6/TRACED3_FSMC_A22/TM9_CH2/DCM1_D7	TM4_CH2/U1_RX/FSMC_NL/DC1_SDA/DCM1_VSYN0/P87	137	DIR.9
DIR.9	7	PC13/REC_AF1	TIM3_CH1/U1_TX/CAN2_TX/DC1_SCL/DCM1_D5 PB6	136	UART.9
UART.8	8	PC14/OSC32_IN	TIM3_CH2/SP1_MOSI/SP3_MOSI/CAN2_RX/DC1_SMB/A0/OTG_HS_ULP1/D7/ETH_PPS_OUT/DCM1_D10/TS3_SD PB5	135	
DIR.8	9	PC15/OSC32_OUT	JTDC/TRACE/SW/TM2_CH2/SP1_SCK/SP3_SCK/TS1_CS PB3	134	
PP0/FSMC_A0/DC2_SDA	10	PE1/FSMC_A1/DC2_SCL	JTDC/TRACE/SW/TM2_CH2/SP1_SCK/SP3_SCK/TS1_CS PB3	133	
DIR.7	11	PE2/FSMC_A2/DC2_SMB	JTDC/TRACE/SW/TM2_CH2/SP1_SCK/SP3_SCK/TS1_CS PB3	132	EN.10
DIR.7	12	PE3/FSMC_A3/ADC3_IN9	JTDC/TRACE/SW/TM2_CH2/SP1_SCK/SP3_SCK/TS1_CS PB3	129	DIR.10
ADC3	13	PE4/FSMC_A4/ADC3_IN4	JTDC/TRACE/SW/TM2_CH2/SP1_SCK/SP3_SCK/TS1_CS PB3	128	UART.10
EN.14	14	PE5/FSMC_A5/ADC3_IN15	JTDC/TRACE/SW/TM2_CH2/SP1_SCK/SP3_SCK/TS1_CS PB3	127	UART.1
UART.16	15	PE6/FSMC_A6/ADC3_IN14	JTDC/TRACE/SW/TM2_CH2/SP1_SCK/SP3_SCK/TS1_CS PB3	126	UART.1
HEAT.7	18	PE7/TM11_CH1/FSMC_NIORD/ADC3_IN4	JTDC/TRACE/SW/TM2_CH2/SP1_SCK/SP3_SCK/TS1_CS PB3	125	EN.1
HEAT.1	19	PE8/TM11_CH1/FSMC_NREG/ADC3_IN5	JTDC/TRACE/SW/TM2_CH2/SP1_SCK/SP3_SCK/TS1_CS PB3	123	
HEAT.1	20	PE9/TM11_CH1/FSMC_NIOW/ADC3_IN6	JTDC/TRACE/SW/TM2_CH2/SP1_SCK/SP3_SCK/TS1_CS PB3	122	
PWM_OUT0	21	PE10/TM14_CH1/FSMC_CD/ADC3_IN7	JTDC/TRACE/SW/TM2_CH2/SP1_SCK/SP3_SCK/TS1_CS PB3	119	
DIR.6	22	PC10/FSMC_INTR/ADC3_IN8	JTDC/TRACE/SW/TM2_CH2/SP1_SCK/SP3_SCK/TS1_CS PB3	118	
EN.6	26	PC0/OTG_HS_ULP1_STP/ADC123_IN10	JTDC/TRACE/SW/TM2_CH2/SP1_SCK/SP3_SCK/TS1_CS PB3	117	
ADC1	27	PC1/ETH_MDIO/ADC123_IN11	JTDC/TRACE/SW/TM2_CH2/SP1_SCK/SP3_SCK/TS1_CS PB3	116	SDIO_CMD
ADC2	28	PC2/SP2_MISO/OTG_HS_ULP1_DIR/ETH_MIL_TXD2/TS2_SDA/SDAC123_IN12	JTDC/TRACE/SW/TM2_CH2/SP1_SCK/SP3_SCK/TS1_CS PB3	115	
PROBE	29	PC3/SP2_MOSI/OTG_HS_ULP1_NXT/ETH_MIL_TX_CLK/TS2_SDA/ADC123_IN13	JTDC/TRACE/SW/TM2_CH2/SP1_SCK/SP3_SCK/TS1_CS PB3	114	
FAN0	34	PA0/WK1/PA2_CTS/U4_TX/ETH_MIL_CRS/TM2_CH1_ETR/TM5_CH1/TM8_ETR/ADC123_IN0	JTDC/TRACE/SW/TM2_CH2/SP1_SCK/SP3_SCK/TS1_CS PB3	113	SDIO_SCK
FAN1	35	PA1/UT1_RX/U4_RX/ETH_RMII_REF_CLK/ETH_MIL_RX_CLK/TM2_CH2/TM5_CH2/ADC123_IN0	JTDC/TRACE/SW/TM2_CH2/SP1_SCK/SP3_SCK/TS1_CS PB3	112	SDIO_D[2:0]
FAN2	36	PA2/U2_TX/TM2_CH3/TM5_CH3/TM10_CH1/ETH_MDIO/ADC123_IN2	JTDC/TRACE/SW/TM2_CH2/SP1_SCK/SP3_SCK/TS1_CS PB3	110	FAN0
FAN3	37	PA3/U2_RX/TM2_CH4/TM5_CH4/TM9_CH2/OTG_HS_ULP1_D0/ETH_MIL_COL/ADC123_IN3	JTDC/TRACE/SW/TM2_CH2/SP1_SCK/SP3_SCK/TS1_CS PB3	109	SWCLK
ADC2	40	PA4/SP1_NSS/U2_CK/DCM1_HS/OTG_HS_SOP/TS3_WS/DAC1_OUT/ADC12_IN4	JTDC/TRACE/SW/TM2_CH2/SP1_SCK/SP3_SCK/TS1_CS PB3	105	SWDIO
MOT_SCK_SCK	41	PA5/SP1_SCK/OTG_HS_ULP1_CK/TM2_CH1_ETR/TM5_CH1/DAC2_OUT/ADC12_IN5	JTDC/TRACE/SW/TM2_CH2/SP1_SCK/SP3_SCK/TS1_CS PB3	104	USB_DP
MOT_MISO/MISO	42	PA6/SP1_MISO/TM1_BKIN/TM1_CH1/TM8_BKIN/TM1_CH1/DCM1_PVXCLK/ADC12_IN6	JTDC/TRACE/SW/TM2_CH2/SP1_SCK/SP3_SCK/TS1_CS PB3	103	USB_DN
MOT_MOSI/MOSI	43	PA7/SP1_MOSI/TM1_CH1/TM8_CH2/TM8_CH1/TM14_CH1/ETH_RMII_RX/DV/ETH_RMII_CS/DV/ADC12_IN7	JTDC/TRACE/SW/TM2_CH2/SP1_SCK/SP3_SCK/TS1_CS PB3	102	RX
ADC0	44	PC4/ETH_MIL_RX/D0/ETH_RMII_RX/D0/ADC12_IN14	JTDC/TRACE/SW/TM2_CH2/SP1_SCK/SP3_SCK/TS1_CS PB3	101	TX
ADC1	46	PC5/ETH_MIL_RX/D1/ETH_RMII_RX/D1/ADC12_IN15	JTDC/TRACE/SW/TM2_CH2/SP1_SCK/SP3_SCK/TS1_CS PB3	100	LED_IN
BOOT1	47	PH0/TM1_CH2/TM1_CH3/TM8_CH2/OTG_HS_ULP1_D1/ETH_MIL_RX/D2/ADC12_IN8	JTDC/TRACE/SW/TM2_CH2/SP1_SCK/SP3_SCK/TS1_CS PB3	99	SDIO_D[2:0]
	48	PH1/TM1_CH3/TM10_CH4/TM8_CH3/OTG_HS_ULP1_D2/ETH_MIL_RX/D3/ADC12_IN9	JTDC/TRACE/SW/TM2_CH2/SP1_SCK/SP3_SCK/TS1_CS PB3	98	SDIO_D[2:0]
	49	PH2/BOOT1	JTDC/TRACE/SW/TM2_CH2/SP1_SCK/SP3_SCK/TS1_CS PB3	97	HEAT.1
DIR.5	49	PH1/DCM1_D12	JTDC/TRACE/SW/TM2_CH2/SP1_SCK/SP3_SCK/TS1_CS PB3	96	PWM servo
UART.5	50	PH2/FSMC_A6	JTDC/TRACE/SW/TM2_CH2/SP1_SCK/SP3_SCK/TS1_CS PB3	95	I2C
EN.4	51	PH3/FSMC_A7	JTDC/TRACE/SW/TM2_CH2/SP1_SCK/SP3_SCK/TS1_CS PB3	92	IO1
DIR.4	51	PH4/FSMC_A8	JTDC/TRACE/SW/TM2_CH2/SP1_SCK/SP3_SCK/TS1_CS PB3	91	IO2
UART.4	53	PH5/FSMC_A9	JTDC/TRACE/SW/TM2_CH2/SP1_SCK/SP3_SCK/TS1_CS PB3	90	IO3
EN.3	56	PG0/FSMC_A10	JTDC/TRACE/SW/TM2_CH2/SP1_SCK/SP3_SCK/TS1_CS PB3	89	IO4
DIR.3	57	PH6/FSMC_A11	JTDC/TRACE/SW/TM2_CH2/SP1_SCK/SP3_SCK/TS1_CS PB3	88	IO5
STEP.5	58	PE7/FSMC_D4/TM1_ETR	JTDC/TRACE/SW/TM2_CH2/SP1_SCK/SP3_SCK/TS1_CS PB3	87	IO6
STEP.5	59	PE8/FSMC_D5/TM1_CH1	JTDC/TRACE/SW/TM2_CH2/SP1_SCK/SP3_SCK/TS1_CS PB3	86	FAN SPEED
STEP.4	63	PE10/FSMC_D7/TM1_CH2N	JTDC/TRACE/SW/TM2_CH2/SP1_SCK/SP3_SCK/TS1_CS PB3	85	FAN SPEEDH
STEP.5	64	PE11/FSMC_D8/TM1_CH3	JTDC/TRACE/SW/TM2_CH2/SP1_SCK/SP3_SCK/TS1_CS PB3	84	WFI EDATA
EN.3	66	PE12/FSMC_D9/TM1_CH3N	JTDC/TRACE/SW/TM2_CH2/SP1_SCK/SP3_SCK/TS1_CS PB3	83	DANI
DIR.2	67	PE13/FSMC_D10/TM1_CH4	JTDC/TRACE/SW/TM2_CH2/SP1_SCK/SP3_SCK/TS1_CS PB3	81	WFI TR ReadyPin
UART.2	68	PE15/FSMC_D12/TM1_BKIN	JTDC/TRACE/SW/TM2_CH2/SP1_SCK/SP3_SCK/TS1_CS PB3	79	WFI RESET
FAN5	69	PH10/SP2_SCK/TM2_CH3/U5_TX/DC2_SCL/OTG_HS_ULP1_D3/TS2_CK	JTDC/TRACE/SW/TM2_CH2/SP1_SCK/SP3_SCK/TS1_CS PB3	77	WFI RX
FAN6	70	PH11/TM2_CH4/U5_RX/DC2_SDA/HS_ULP1_D4/ETH_MIL_TX_EN/ETH_RMII_TX_EN	JTDC/TRACE/SW/TM2_CH2/SP1_SCK/SP3_SCK/TS1_CS PB3	76	WFI MISO
		SP2_MOSI/TM1_CH3N/TM8_CH3N/TM12_CH2/OTG_HS_DP/TS2_SD PB15	JTDC/TRACE/SW/TM2_CH2/SP1_SCK/SP3_SCK/TS1_CS PB3	75	WFI CS
		SP2_MISO/TM1_CH2N/TM8_CH2N/TM12_CH1/U3_RTS/OTG_HS_DM/TS2_SDA SD PB14	JTDC/TRACE/SW/TM2_CH2/SP1_SCK/SP3_SCK/TS1_CS PB3	74	WFI SCK
		PH11/TM2_CH4/U5_RX/DC2_SDA/HS_ULP1_D4/ETH_MIL_TX_EN/ETH_RMII_TX_EN	JTDC/TRACE/SW/TM2_CH2/SP1_SCK/SP3_SCK/TS1_CS PB3	73	WFI CS
		SP2_SCK/TM1_CH3N/U3_CTS/CAN2_RX/DC2_SMB/A0/OTG_HS_ULP1_D5/OTG_HS_ID/ETH_MIL_TX/D0/ETH_RMII_TX/D0/TS2_WS PB12	JTDC/TRACE/SW/TM2_CH2/SP1_SCK/SP3_SCK/TS1_CS PB3		

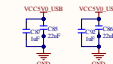
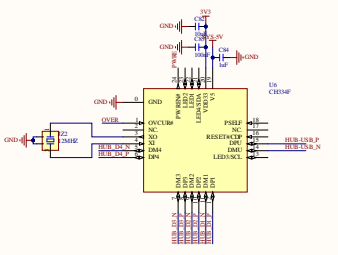


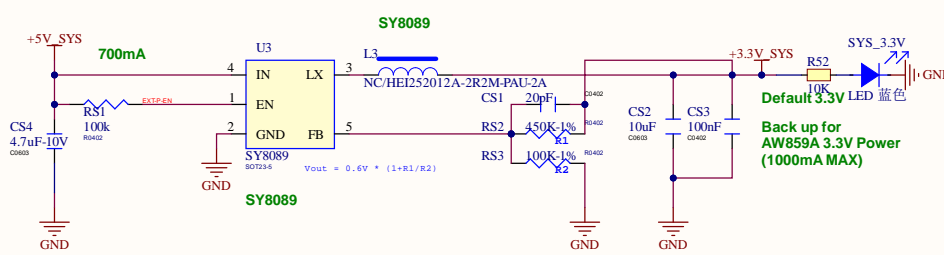
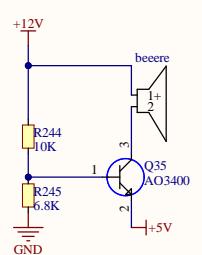
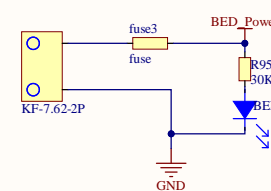
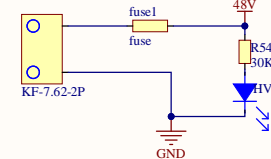
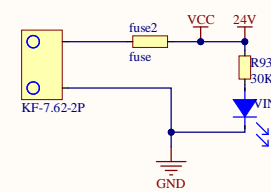
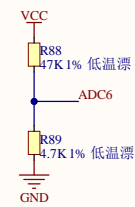
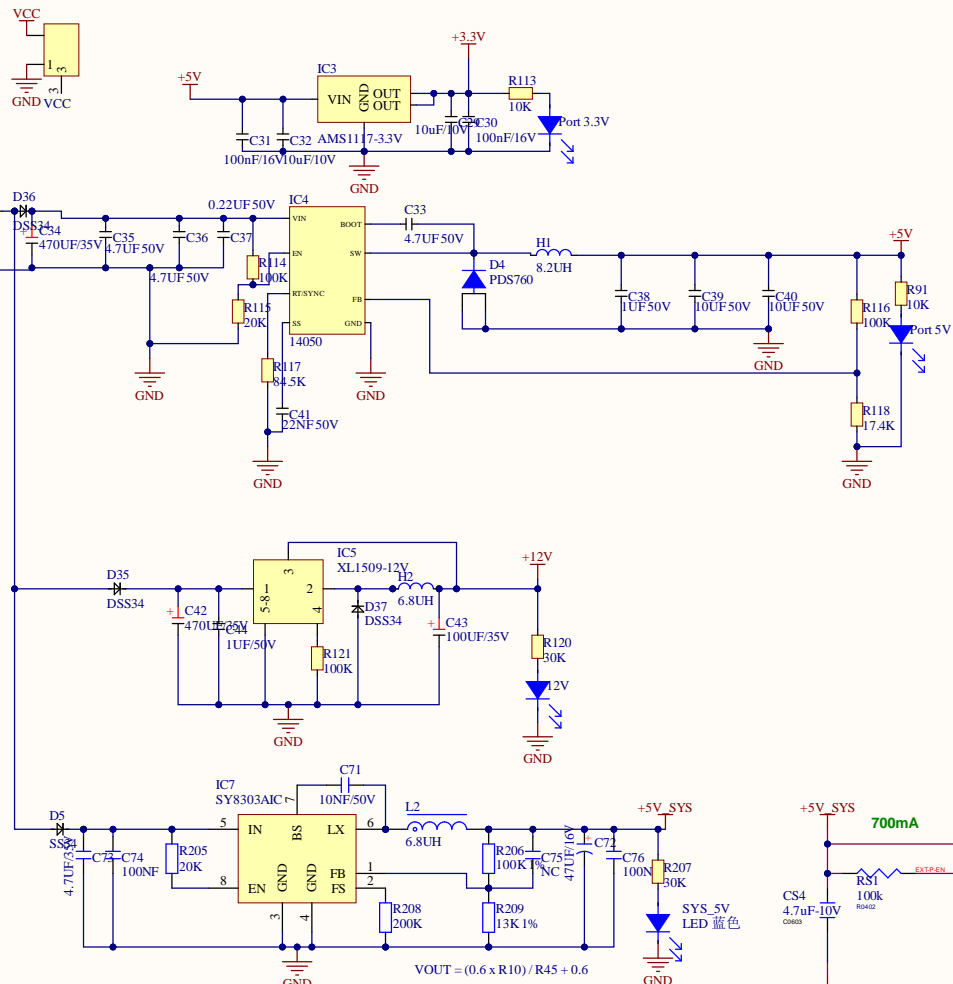


**TF-CARD**



**USB HUB**





Title			Altium Limited L3, 12a Rodborough Rd Frenchs Forest NSW Australia 2086
Size: B	Number:	Revision:	
Date: 2024/6/3	Time: 12:24:55	Sheet of	
File: E:\3D打印主板\10轴主板\CM4-10轴电源.SchDoc			