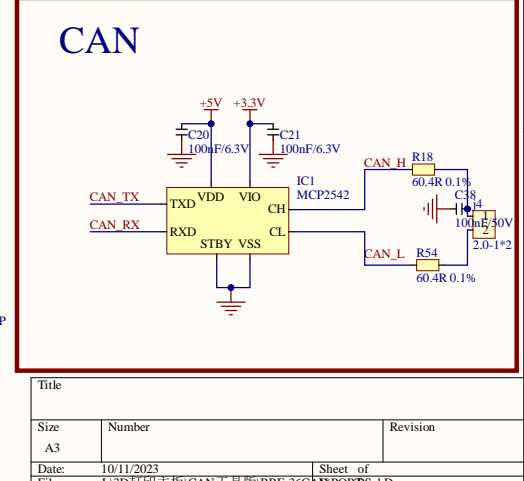
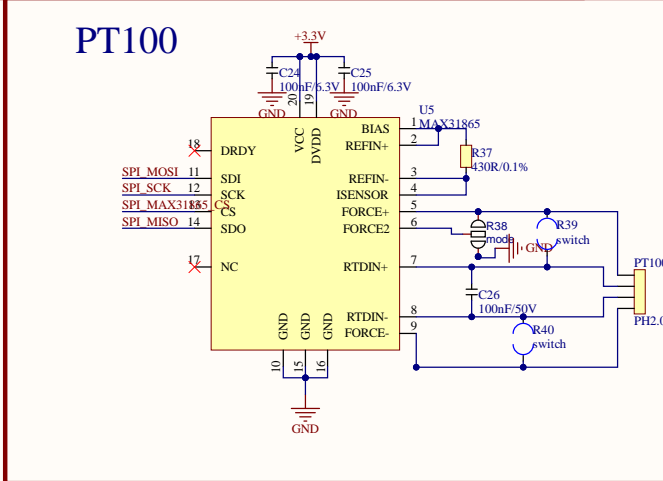
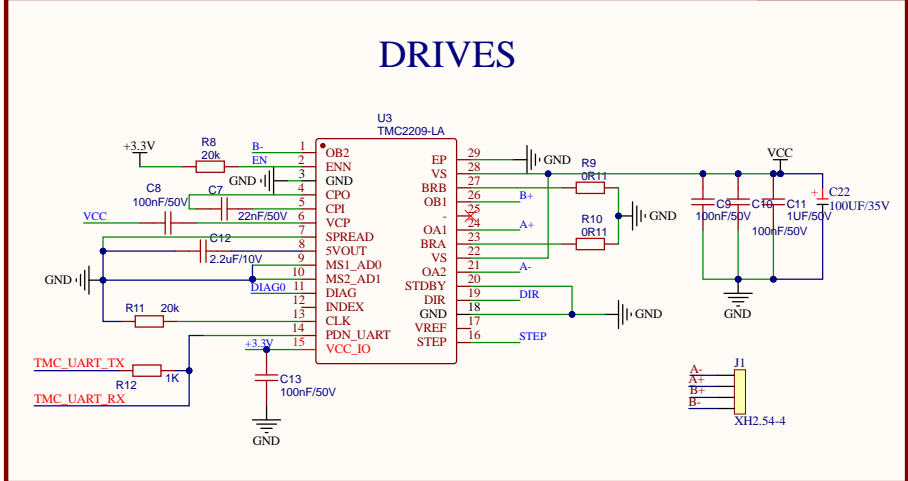
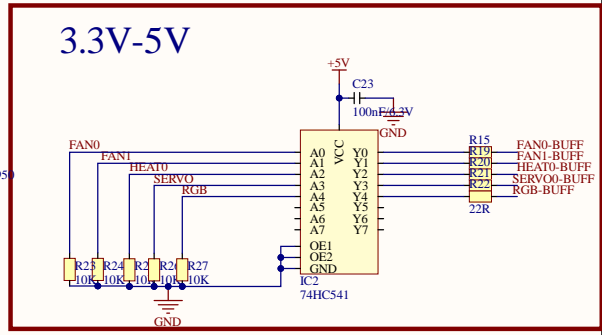
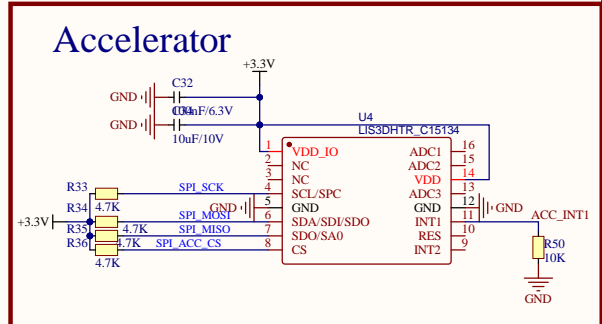
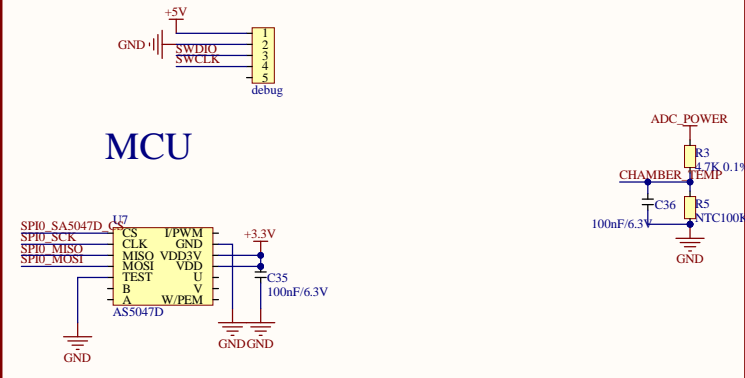
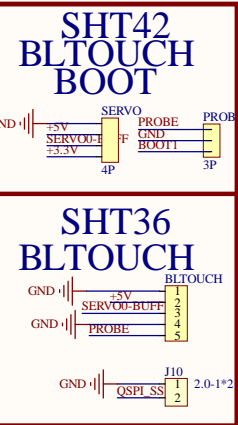
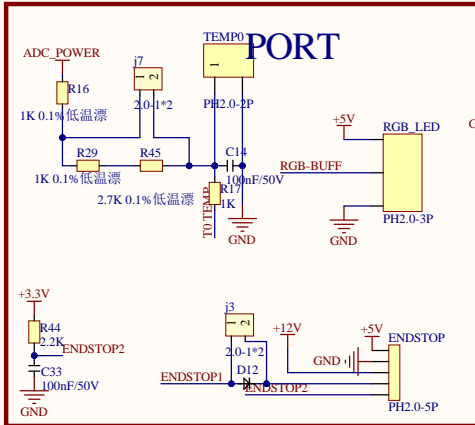
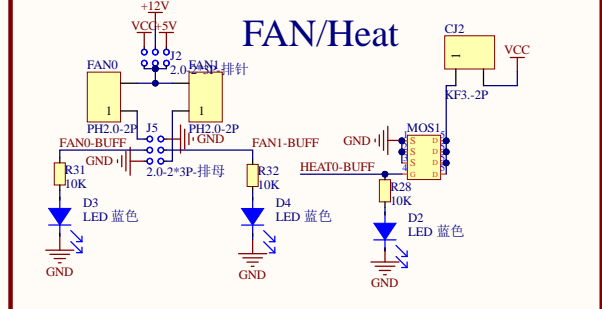
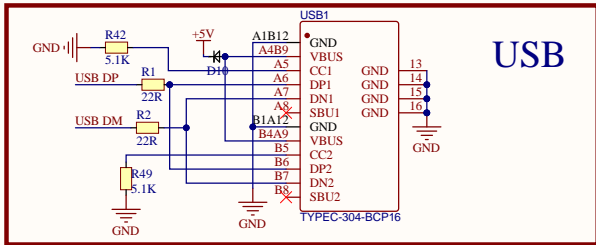
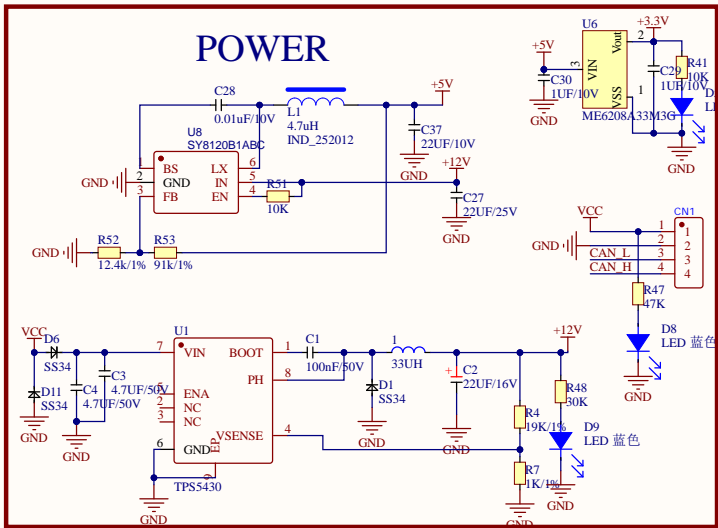


Title		
Size	Number	Revision
A3		
Date:	10/11/2023	Sheet of
File:	3D打印主板(CAN工具板)RRF-36C	10/20/2023



Title		
Size	Number	Revision
A3		
Date:	10/11/2023	Sheet of
File:	3D打印主板CAN工具版RRF-36C	Author: BschDoc