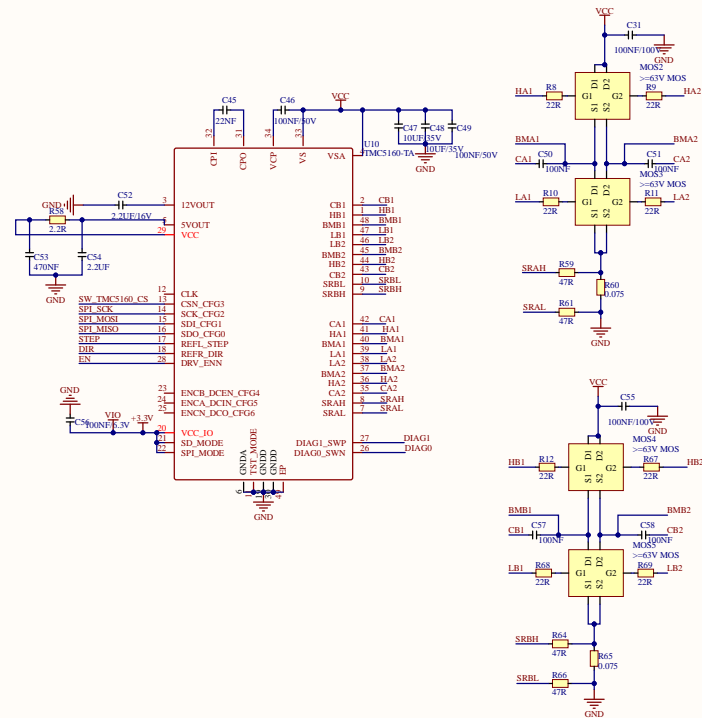
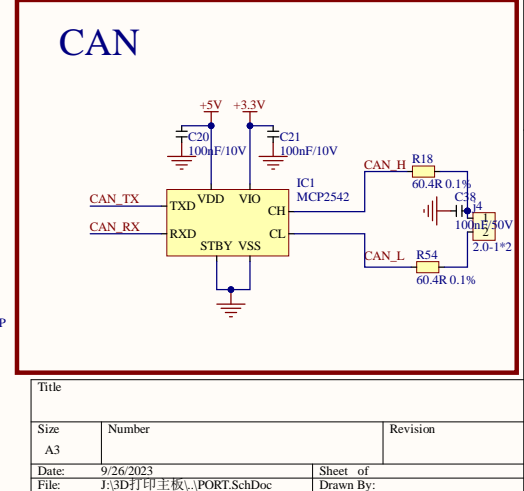
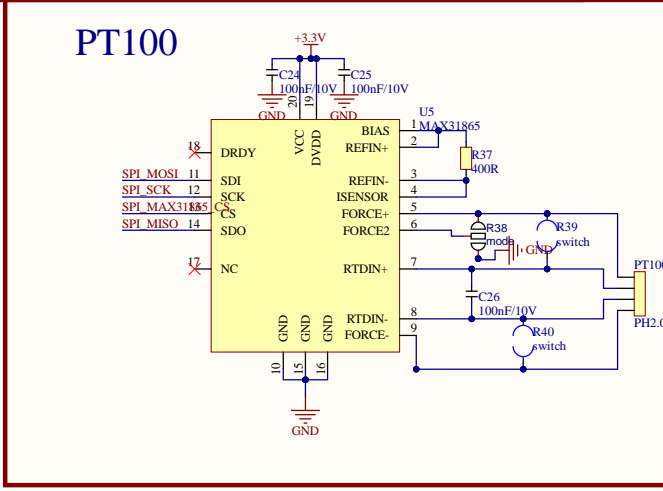
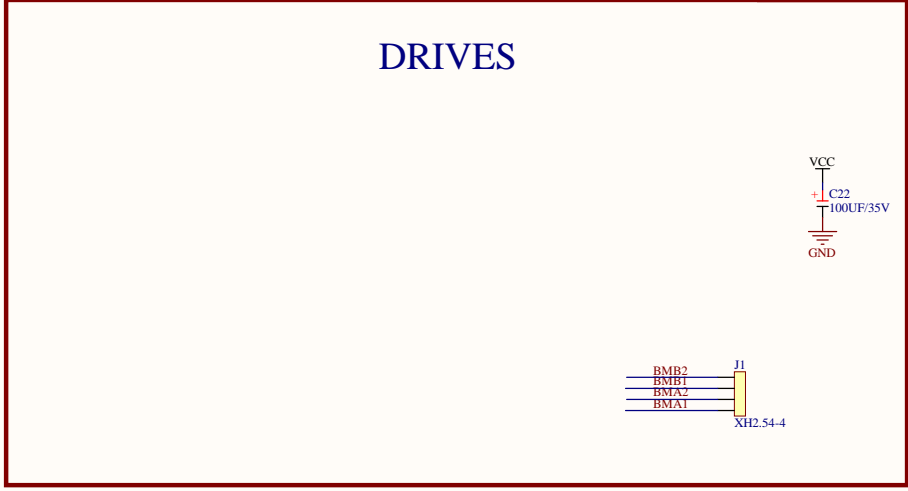
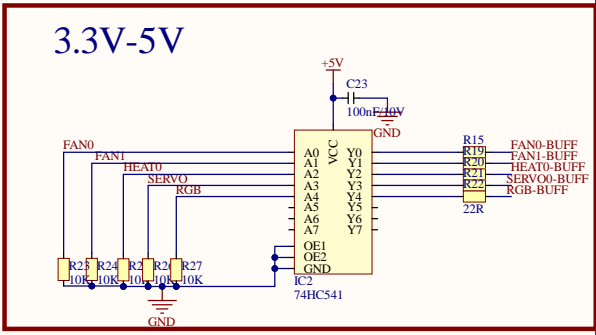
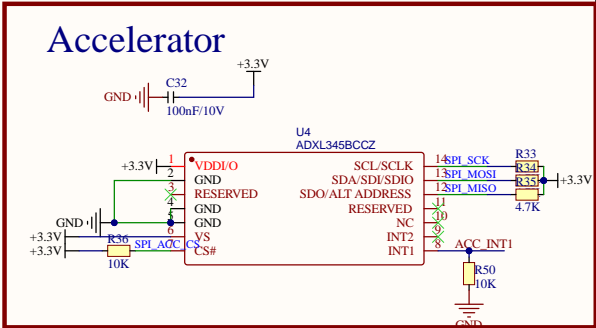
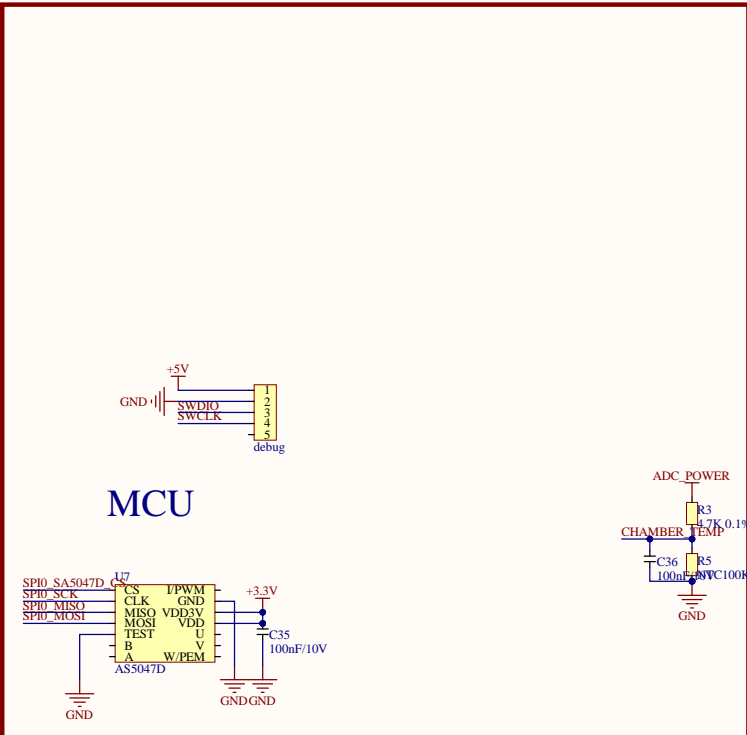
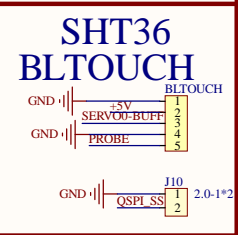
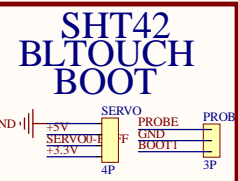
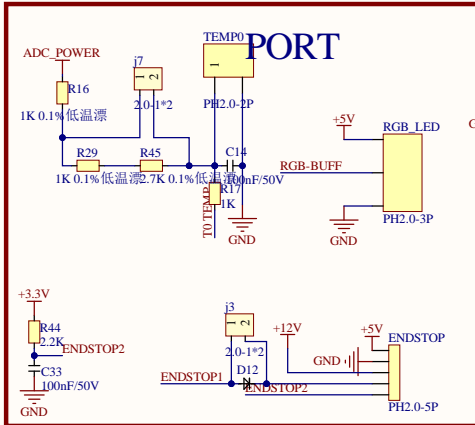
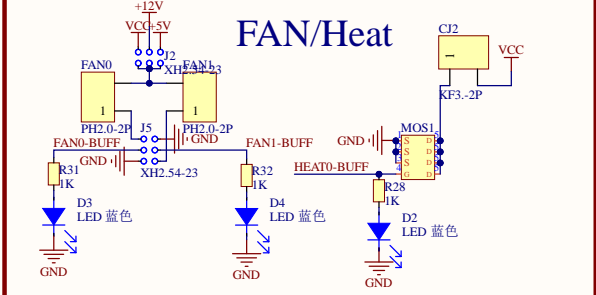
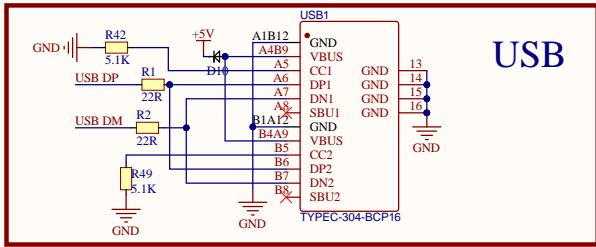
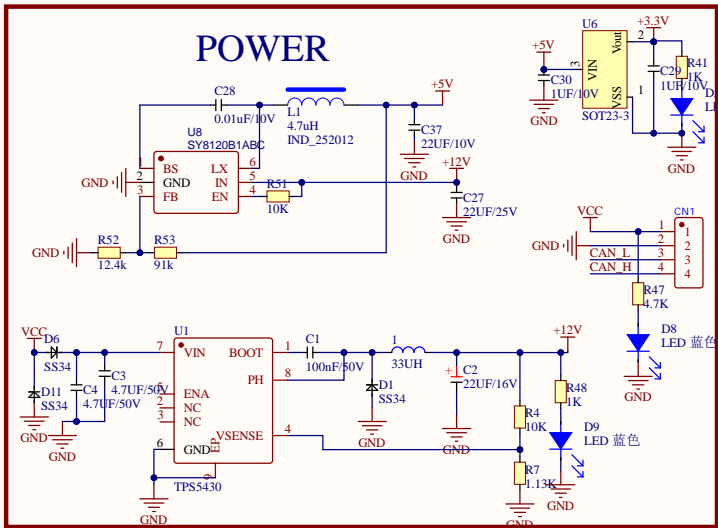


Title		
Size	Number	Revision
A3		
Date:	9/26/2023	Sheet of
File:	J:\3D打印主板\2040.SchDoc	Drawn By:





Title		
Size	Number	Revision
A3		
Date:	9/26/2023	Sheet of
File:	3D打印主板\PORT.SchDoc	Drawn By: