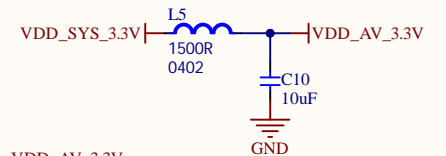
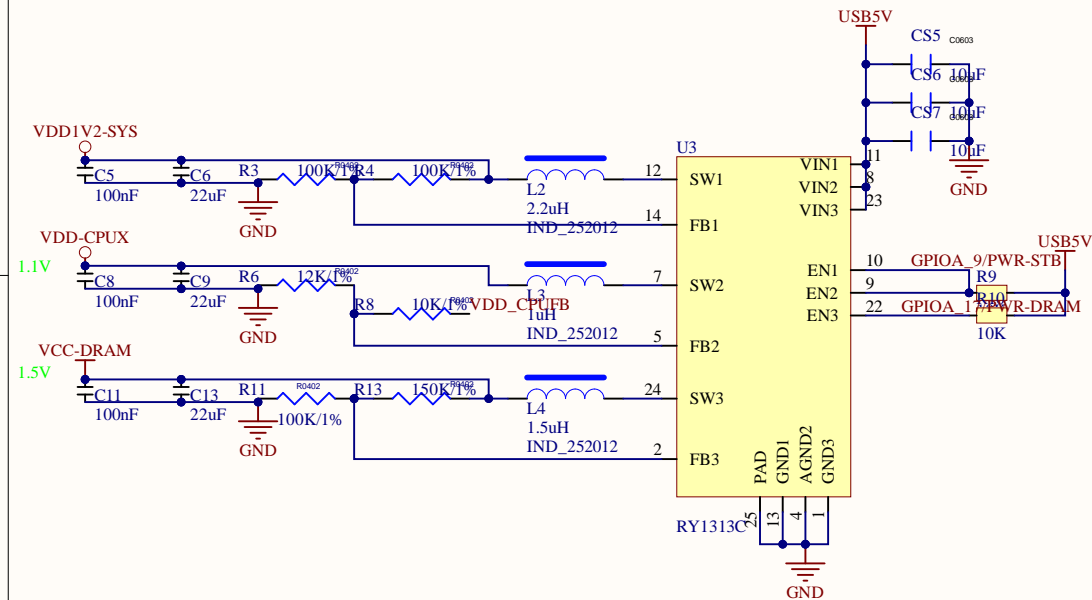
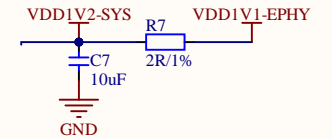
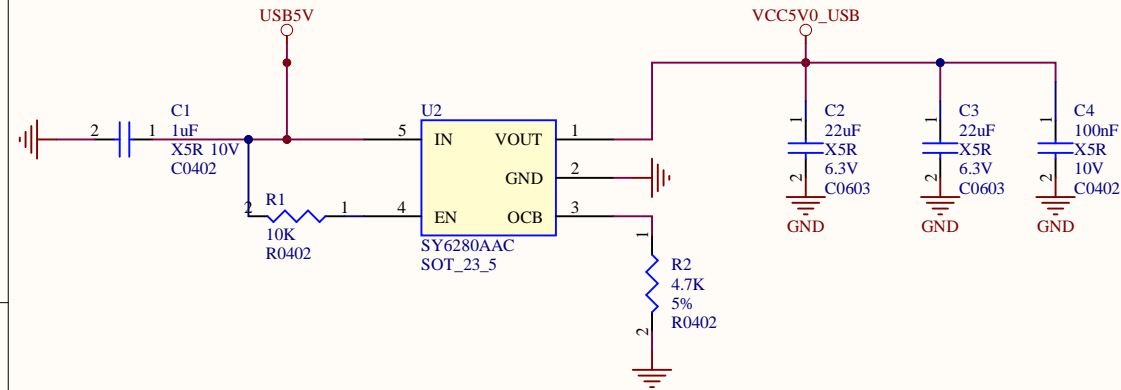
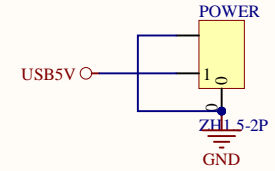
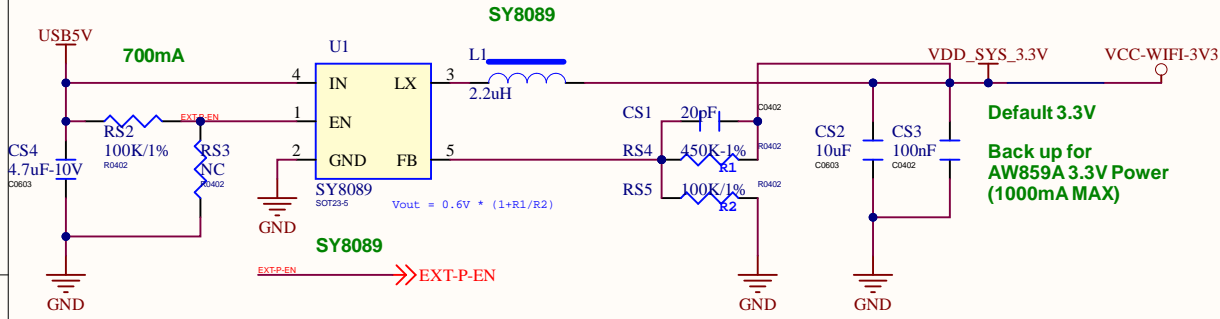


File			
Size	10000	10000	10000
AM			
Doc			
File	C:\Users\user\Desktop\X3000-011 (Rev. 1.0) (1).dcm		



# 5V TO 3.3V



Title		
Size	Number	Revision
A4		
Date:	8/26/2023	Sheet of
File:	J:\3D打印主板\Power.SchDoc	Drawn By: