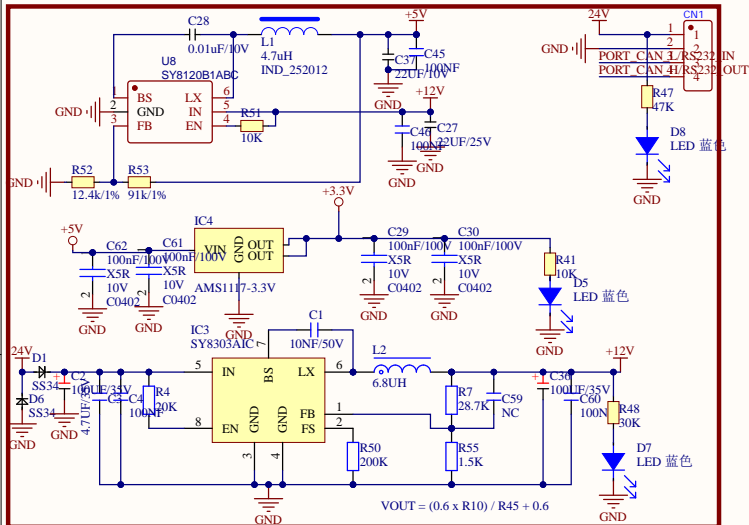
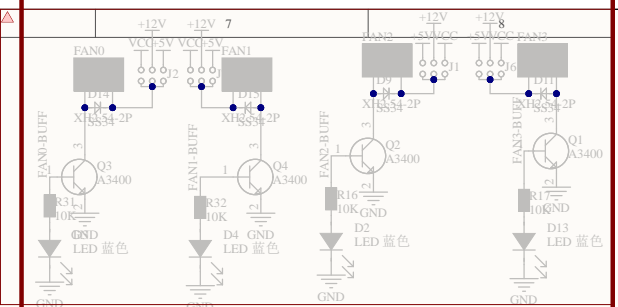
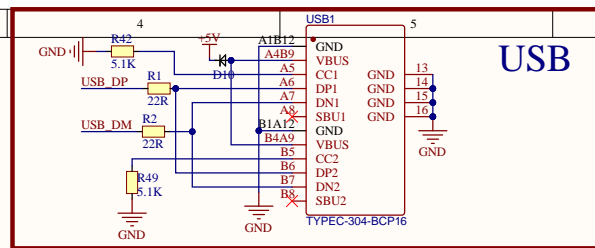


Title		
Size	Number	Revision
A3		
Date:	1/17/2024	Sheet of
File:	F3D打印主板\STM32H7.SchDoc	Drawn By:

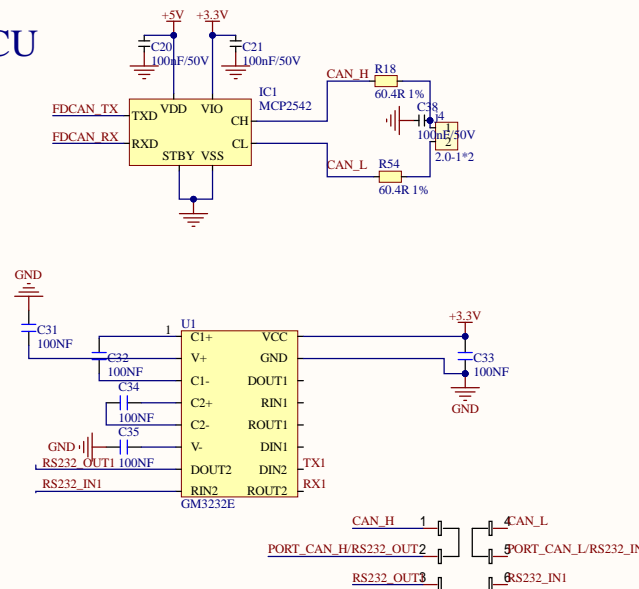
# POWER



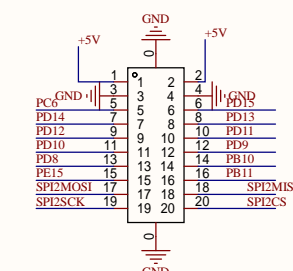
# USB



# MCU

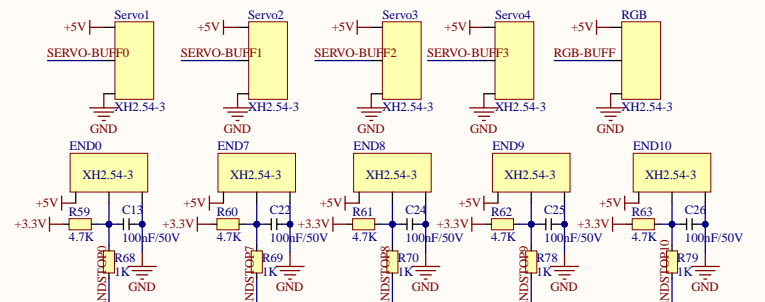


# Accelerator

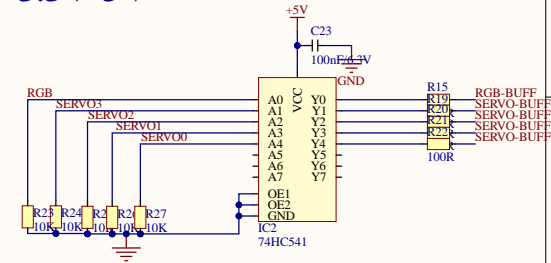


PC6	GND	1	3
PD14	5	4	4
PD12	7	5	6
PD10	9	6	8
PD8	11	7	8
PE15	13	8	10
SP12MOSI	14	9	10
SP12SCK	15	10	11
	16	11	12
	17	12	14
	18	13	14
	19	14	16
	20	15	16
		16	18
		17	18
		18	20
		19	20

# SERVO



# 3.3V-5V



Title		
Size	Number	Revision
A3		
Date:	1/17/2024	Sheet of
File:	J:\3D打印主板\PORT.SchDoc	Drawn By:

