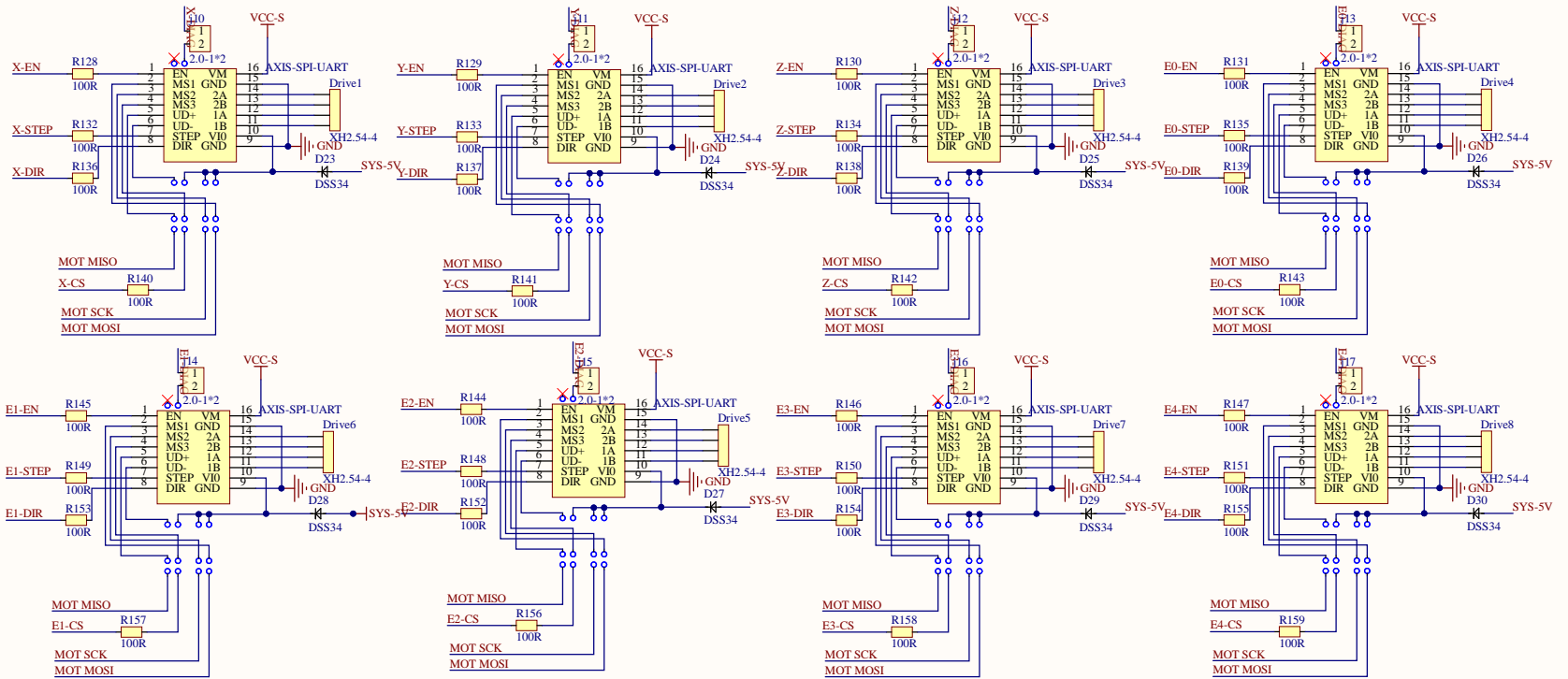
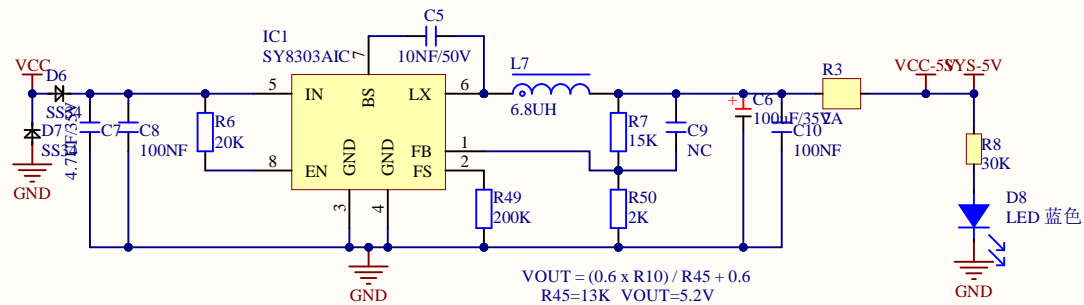


Rev	Number	Revision
1.0	1.0	1.0
1.1	1.1	1.1
1.2	1.2	1.2
1.3	1.3	1.3
1.4	1.4	1.4
1.5	1.5	1.5
1.6	1.6	1.6
1.7	1.7	1.7
1.8	1.8	1.8
1.9	1.9	1.9
2.0	2.0	2.0
2.1	2.1	2.1
2.2	2.2	2.2
2.3	2.3	2.3
2.4	2.4	2.4
2.5	2.5	2.5
2.6	2.6	2.6
2.7	2.7	2.7
2.8	2.8	2.8
2.9	2.9	2.9
3.0	3.0	3.0
3.1	3.1	3.1
3.2	3.2	3.2
3.3	3.3	3.3
3.4	3.4	3.4
3.5	3.5	3.5
3.6	3.6	3.6
3.7	3.7	3.7
3.8	3.8	3.8
3.9	3.9	3.9
4.0	4.0	4.0
4.1	4.1	4.1
4.2	4.2	4.2
4.3	4.3	4.3
4.4	4.4	4.4
4.5	4.5	4.5
4.6	4.6	4.6
4.7	4.7	4.7
4.8	4.8	4.8
4.9	4.9	4.9
5.0	5.0	5.0
5.1	5.1	5.1
5.2	5.2	5.2
5.3	5.3	5.3
5.4	5.4	5.4
5.5	5.5	5.5
5.6	5.6	5.6
5.7	5.7	5.7
5.8	5.8	5.8
5.9	5.9	5.9
6.0	6.0	6.0
6.1	6.1	6.1
6.2	6.2	6.2
6.3	6.3	6.3
6.4	6.4	6.4
6.5	6.5	6.5
6.6	6.6	6.6
6.7	6.7	6.7
6.8	6.8	6.8
6.9	6.9	6.9
7.0	7.0	7.0
7.1	7.1	7.1
7.2	7.2	7.2
7.3	7.3	7.3
7.4	7.4	7.4
7.5	7.5	7.5
7.6	7.6	7.6
7.7	7.7	7.7
7.8	7.8	7.8
7.9	7.9	7.9
8.0	8.0	8.0
8.1	8.1	8.1
8.2	8.2	8.2
8.3	8.3	8.3
8.4	8.4	8.4
8.5	8.5	8.5
8.6	8.6	8.6
8.7	8.7	8.7
8.8	8.8	8.8
8.9	8.9	8.9
9.0	9.0	9.0
9.1	9.1	9.1
9.2	9.2	9.2
9.3	9.3	9.3
9.4	9.4	9.4
9.5	9.5	9.5
9.6	9.6	9.6
9.7	9.7	9.7
9.8	9.8	9.8
9.9	9.9	9.9
10.0	10.0	10.0



Title		
Size	Number	Revision
A3		
Date:	7/05/2024	Sheet of
File:	E:\3D打印\主板\DRIVES.SchDoc	Drawn By:

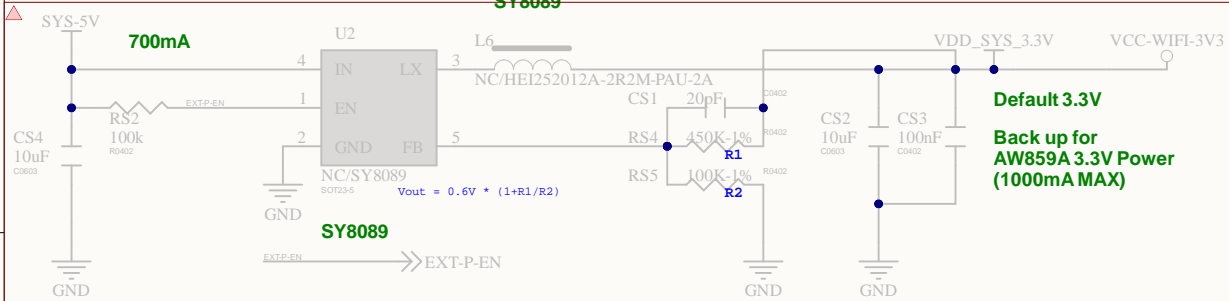


5V TO 3.3V

$$V_{OUT} = (0.6 \times R_{10}) / R_{45} + 0.6$$

$$R_{45} = 13K \quad V_{OUT} = 5.2V$$

SY8089



Title		
Size A4	Number	Revision
Date: 7/05/2024	Sheet of	
File: E:\3D打印主板\Power.SchDoc	Drawn By:	