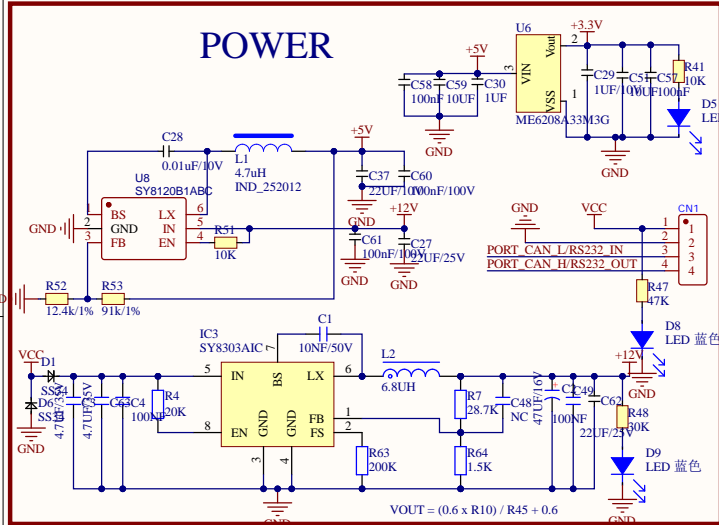
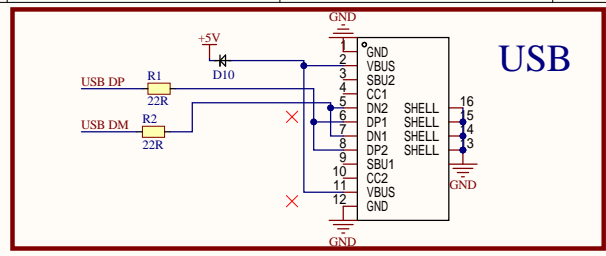


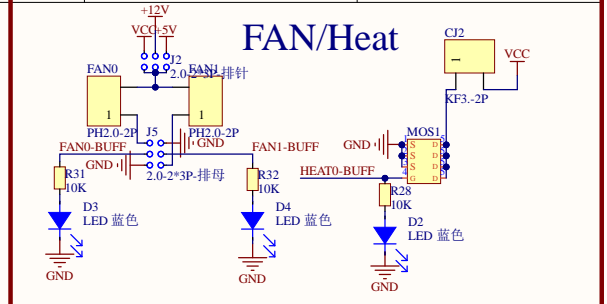
POWER



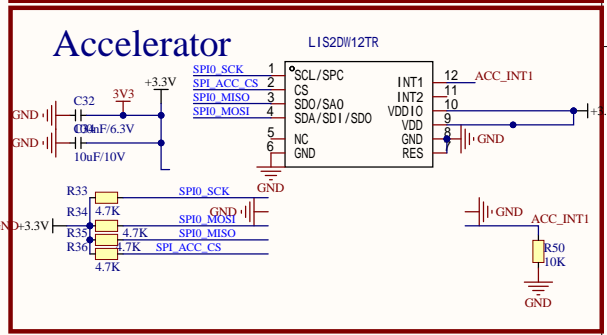
USB



FAN/Heat



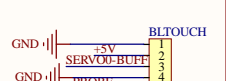
Accelerator



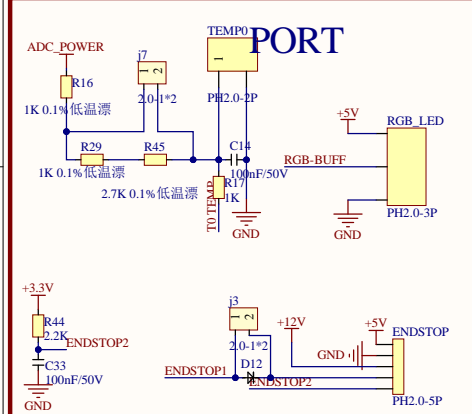
SHT42 BLTOUCH BOOT



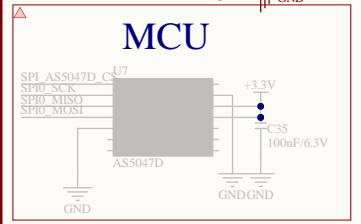
SHT36 BLTOUCH



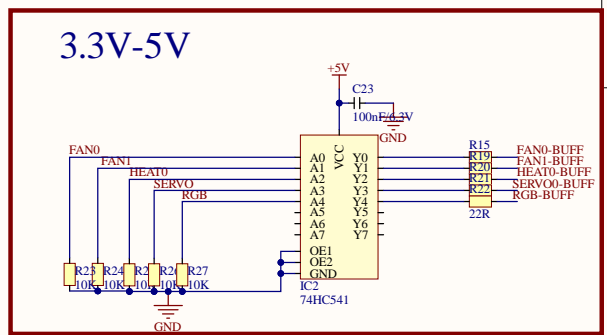
PORT



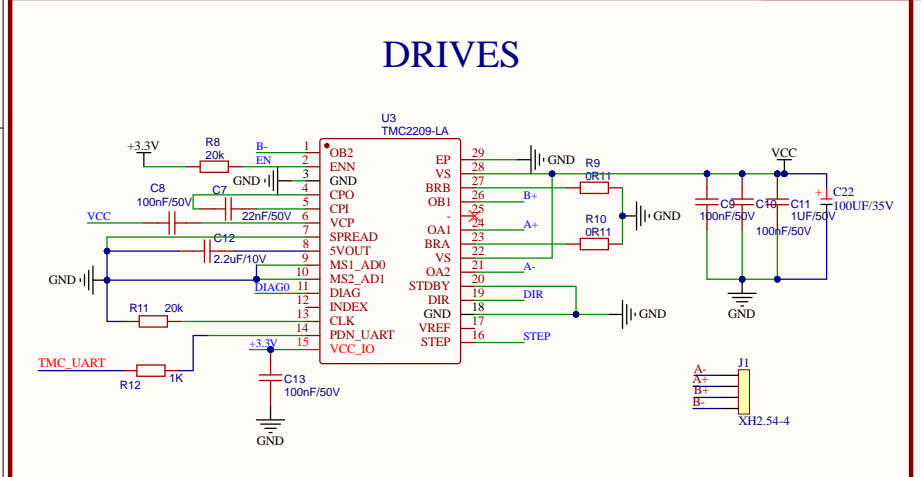
MCU



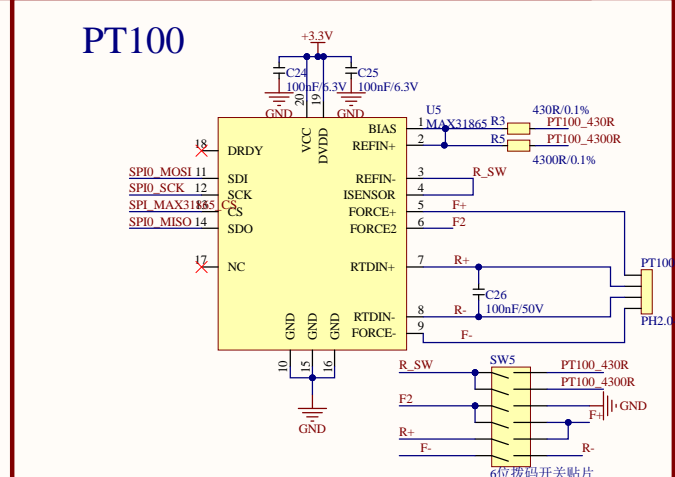
3.3V-5V



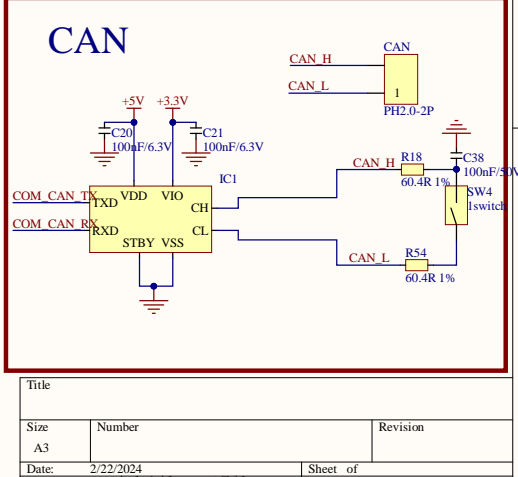
DRIVES



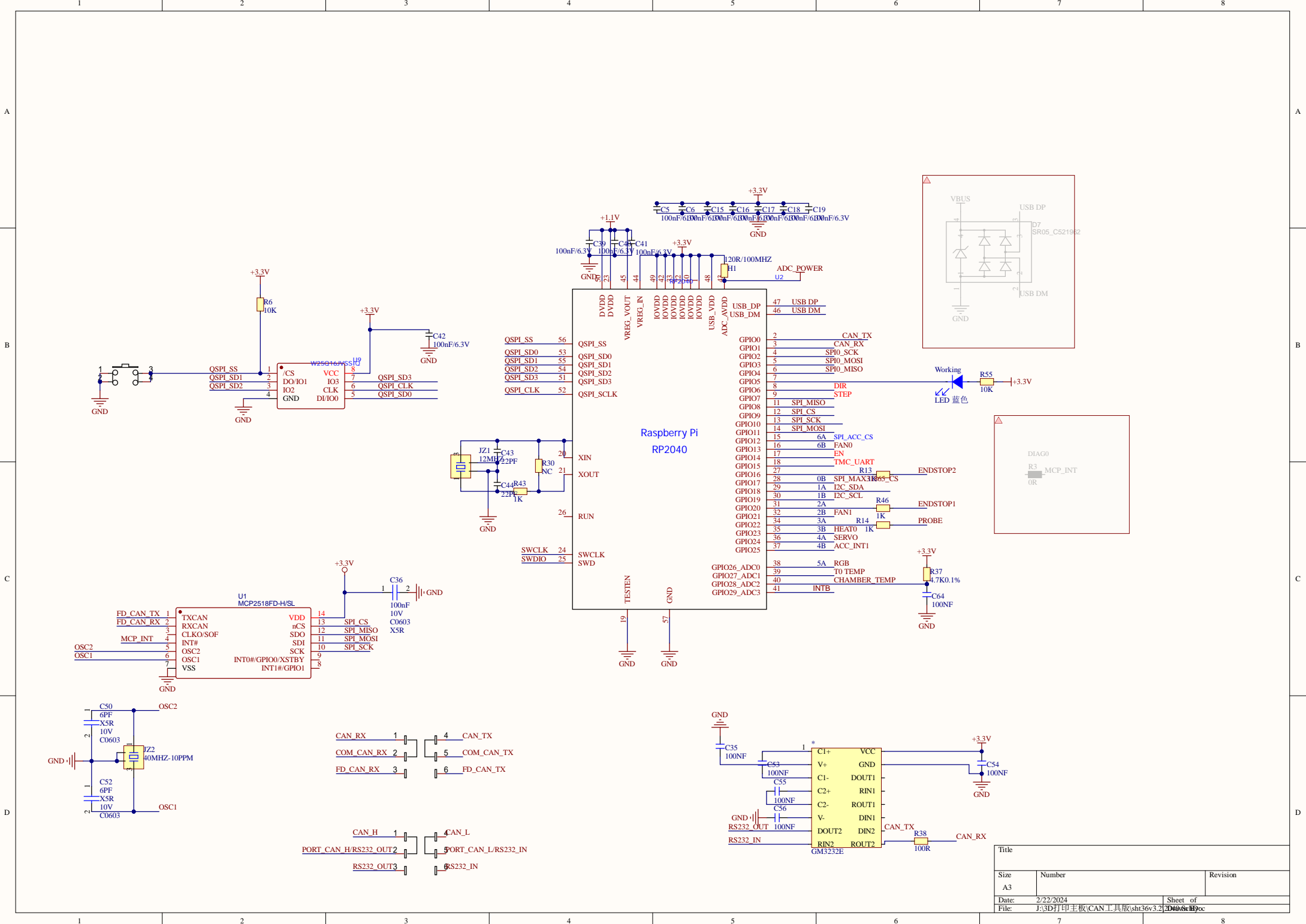
PT100



CAN



Title		
Size	Number	Revision
A3		
Date:	2/22/2024	Sheet of
File:	J:3D打印主板CAN工具版(shv36v3.2) (2024.2.22)	1/1



Title		
Size	Number	Revision
A3		
Date:	2/22/2024	Sheet of
File:	3D打印主板(CAN工具版)sh36v3.2	2/40