

PROCESSOR

STEPPERS


HEATERS AND FANS

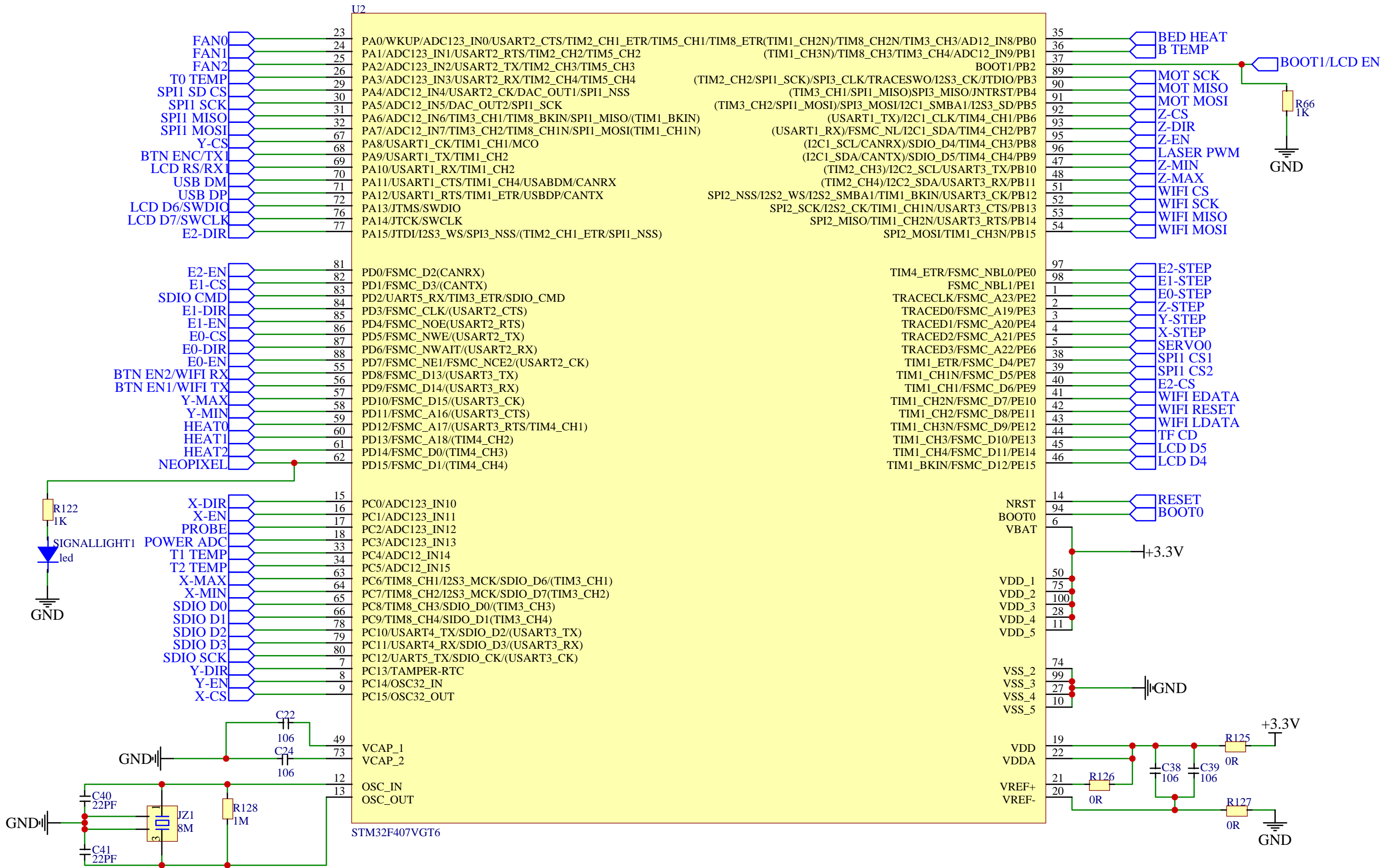
COMMS

ENDSTOPS AND TEMPERATURE

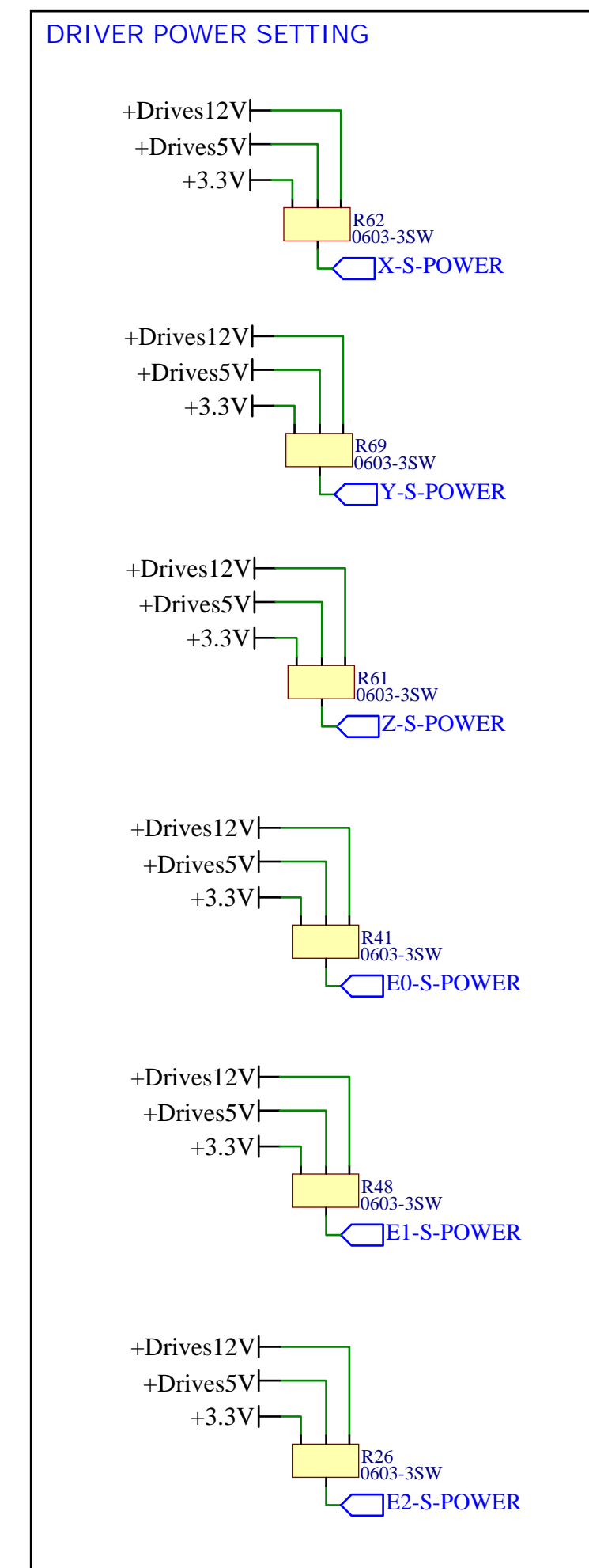
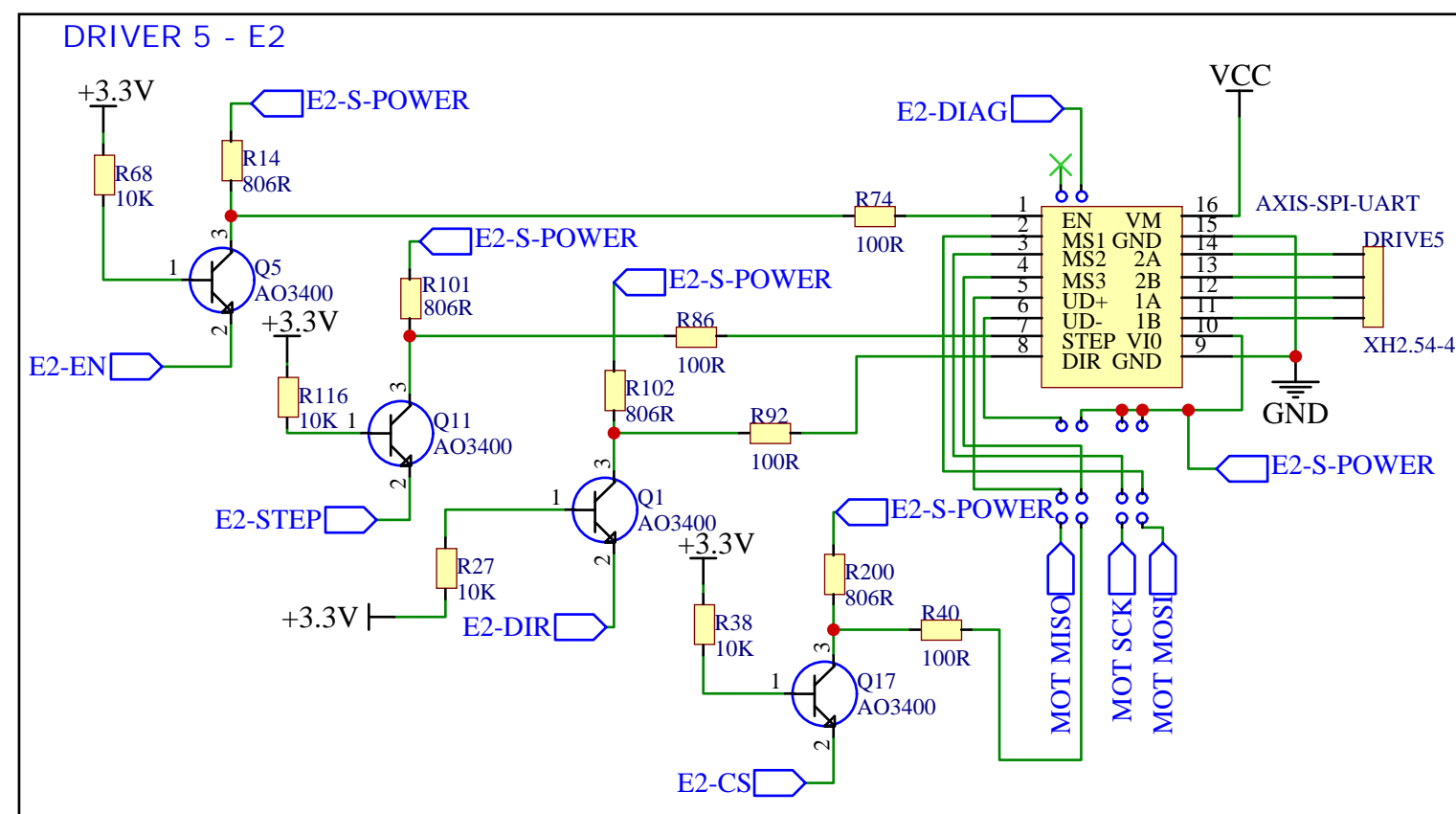
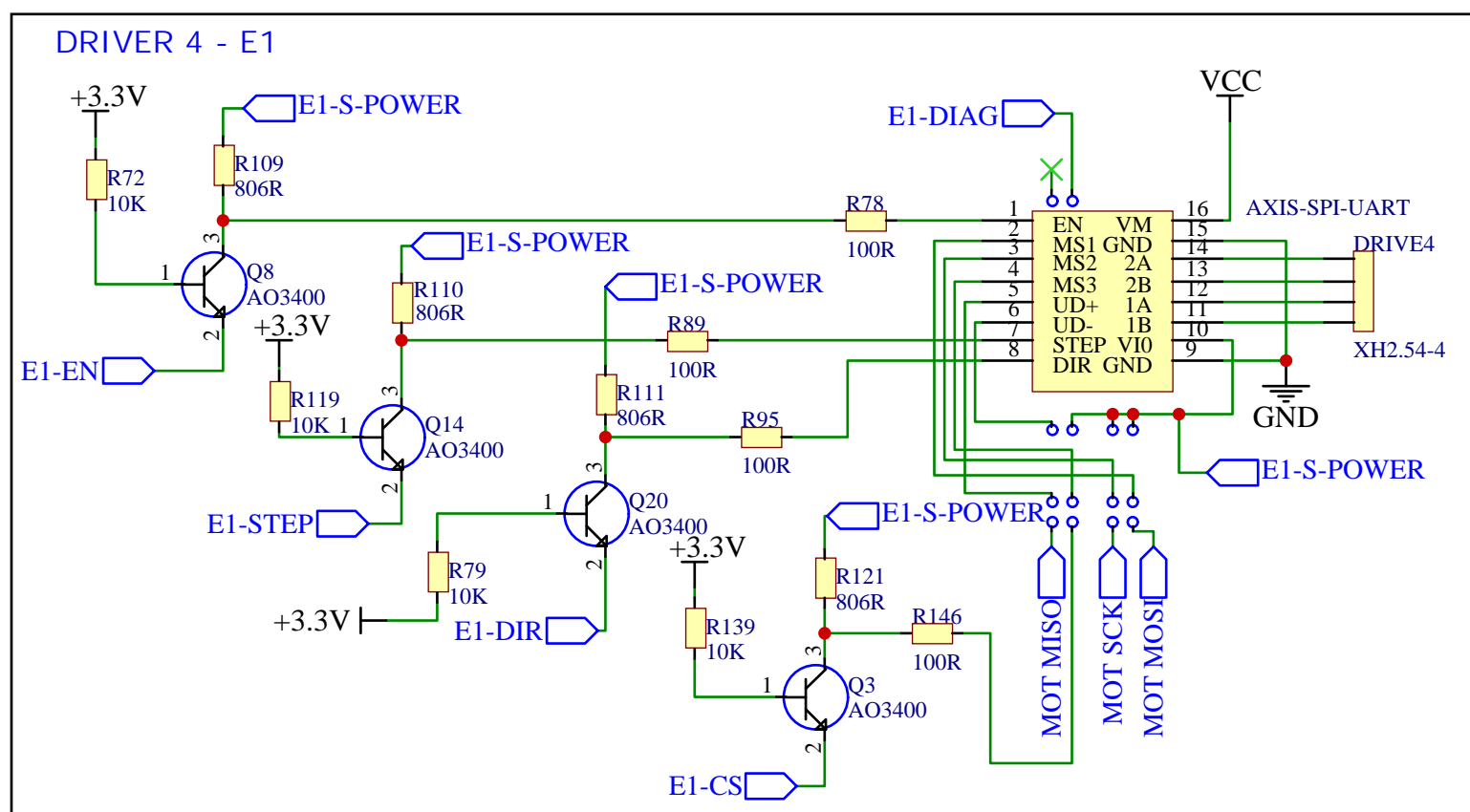
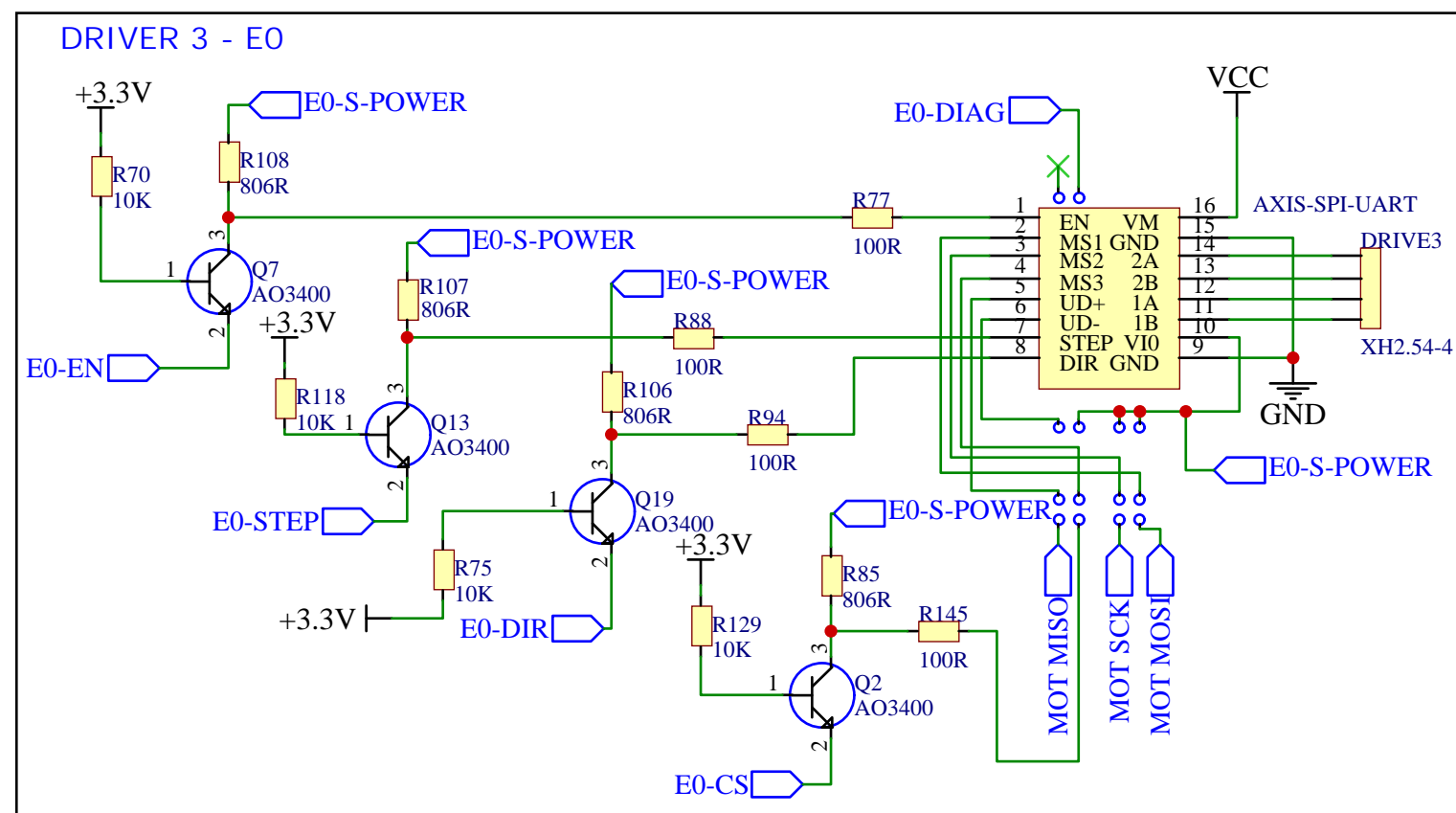
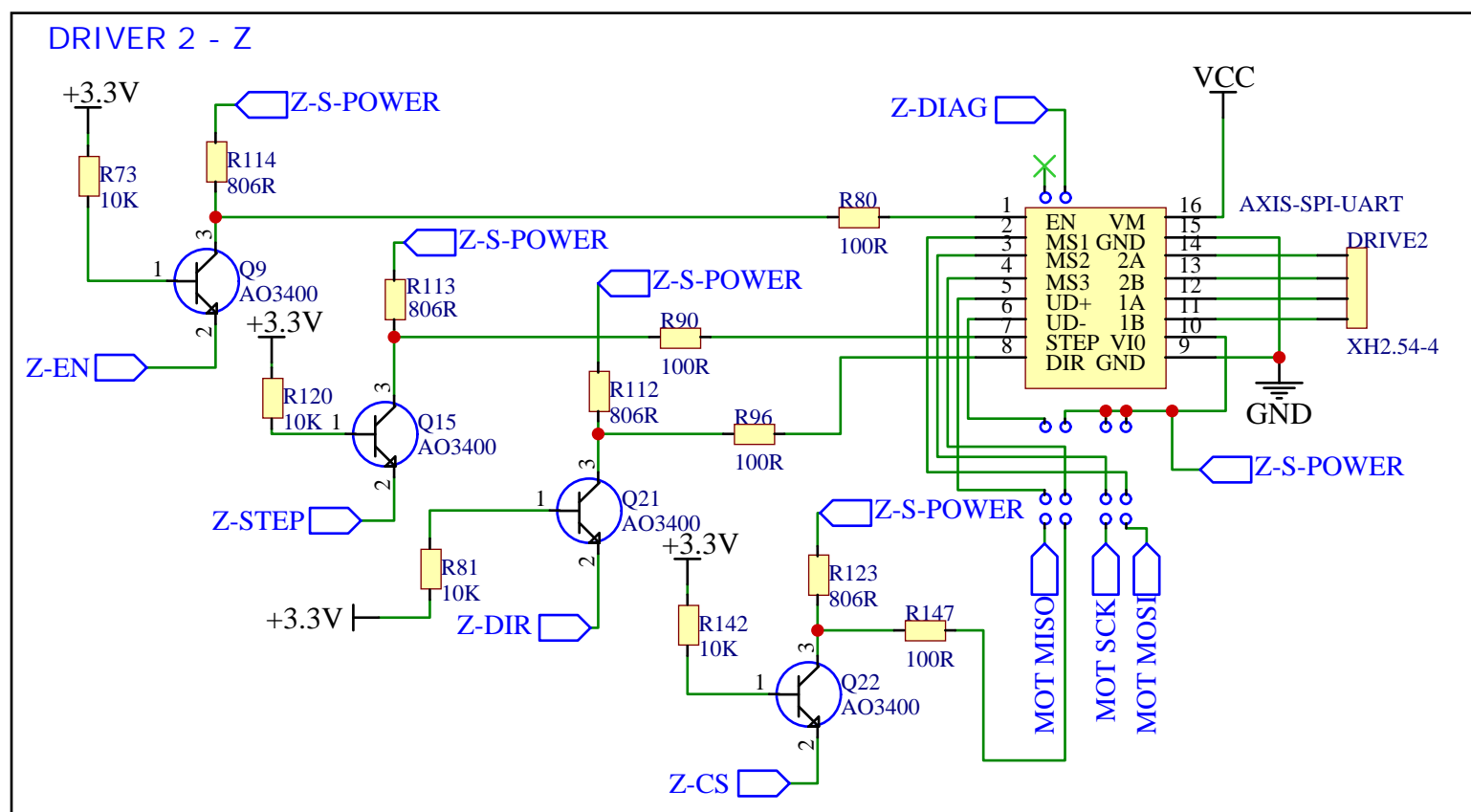
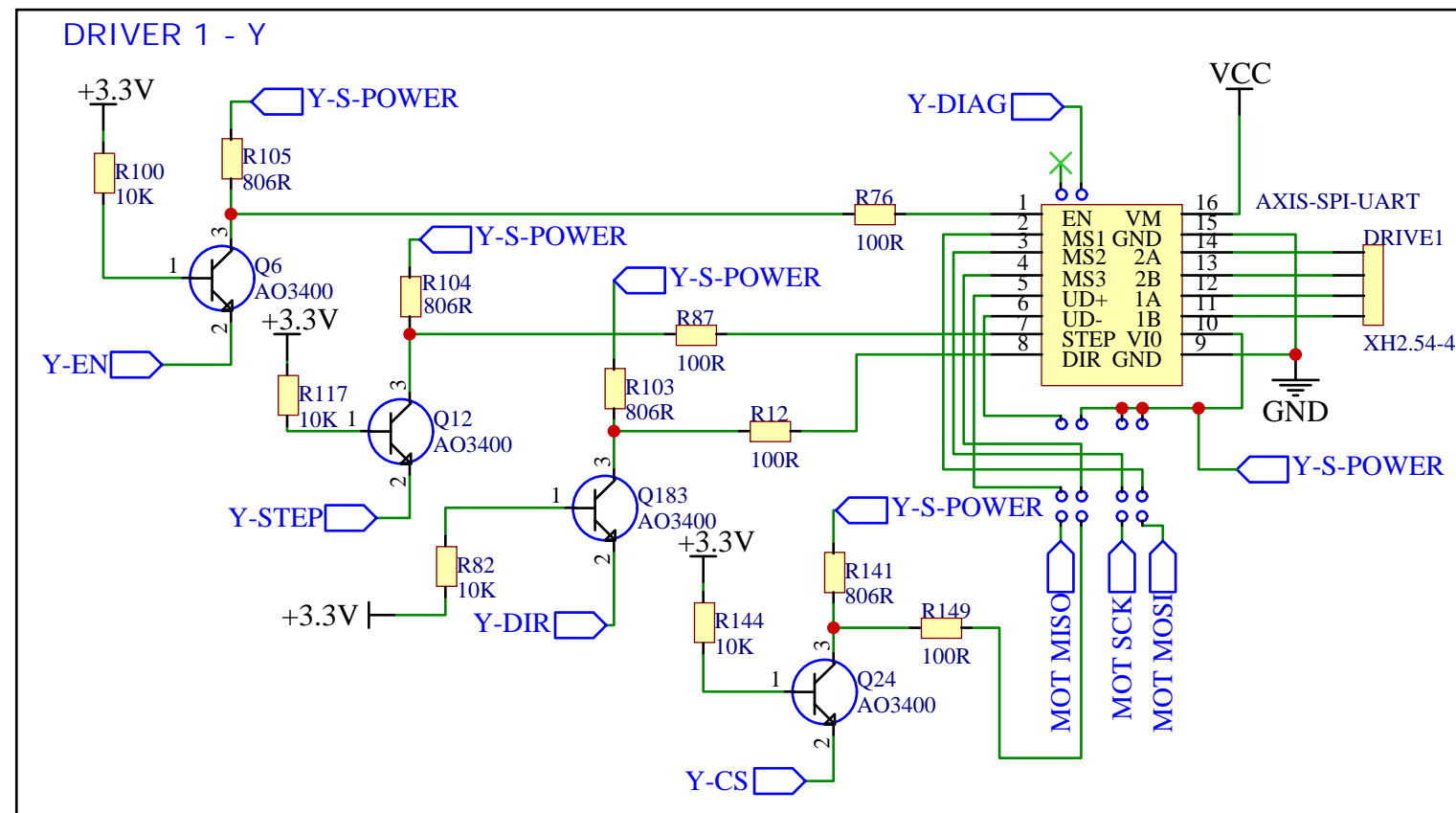
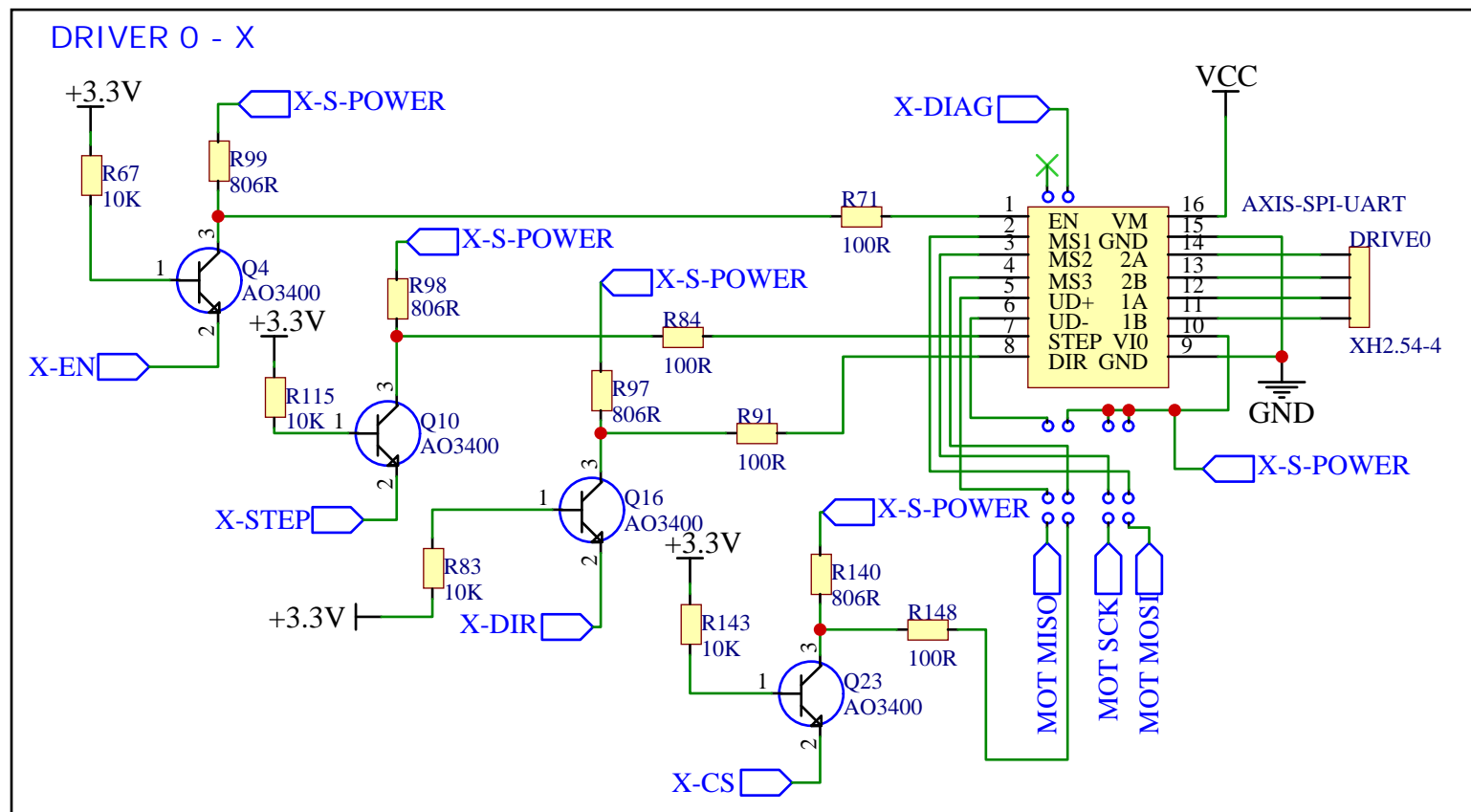
HEADERS

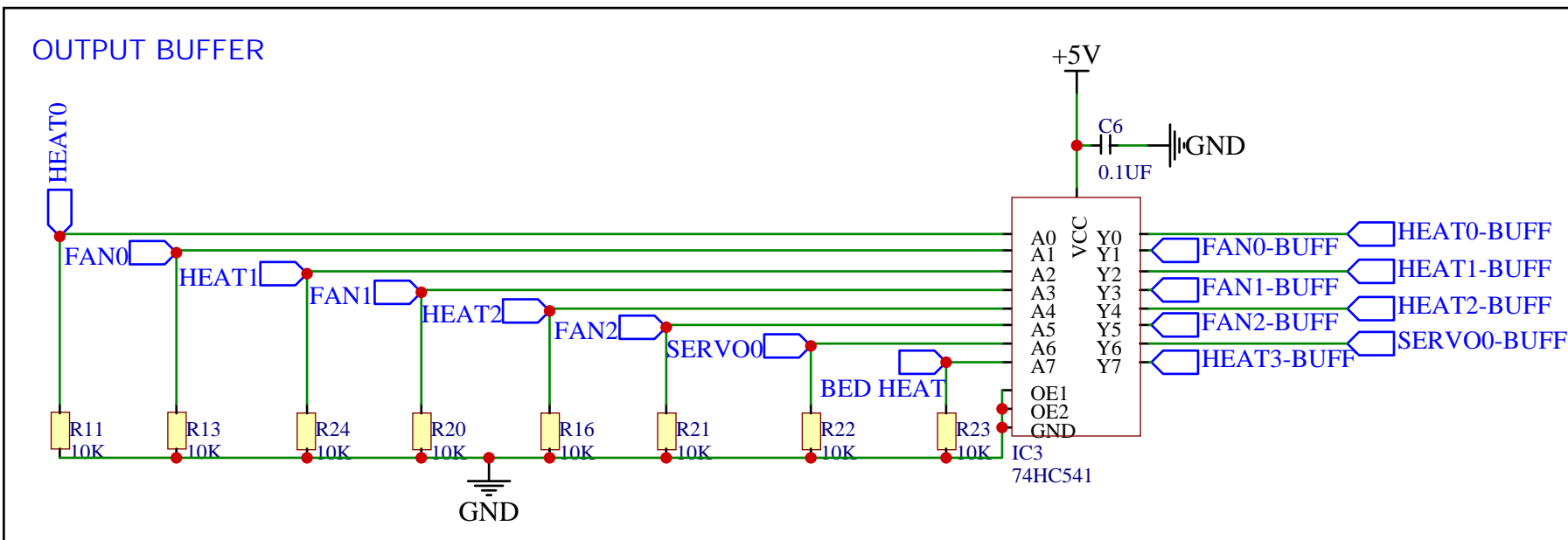
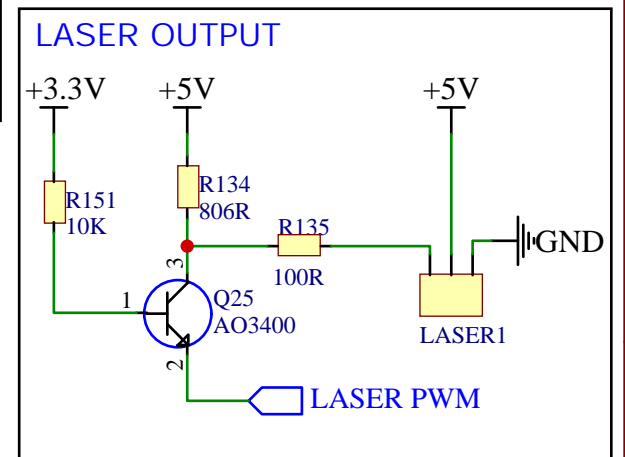
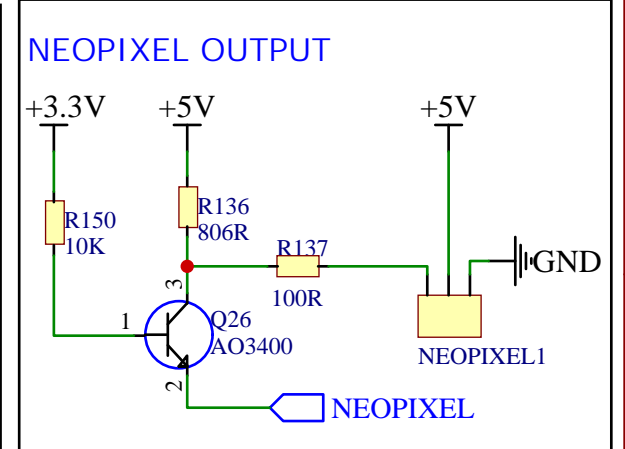
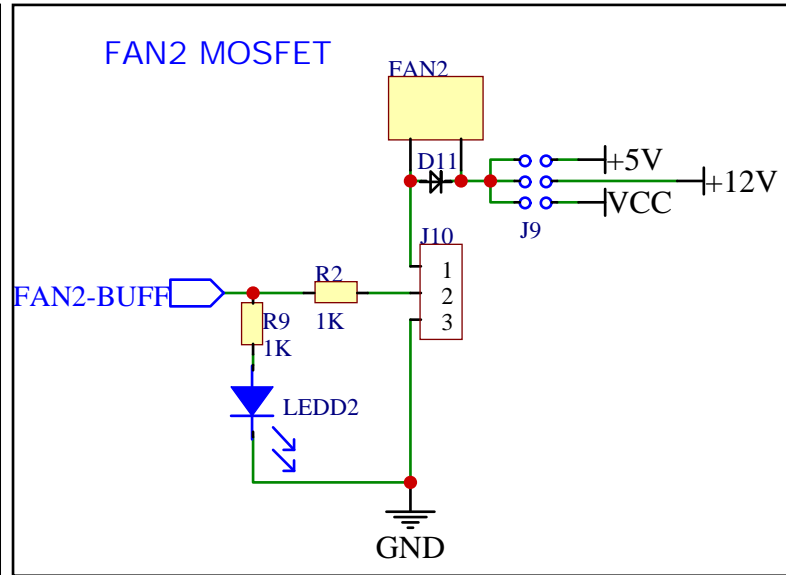
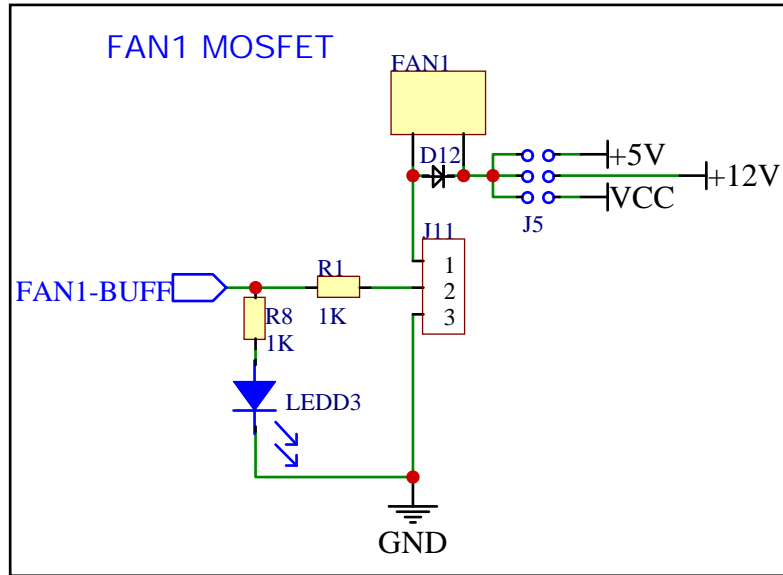
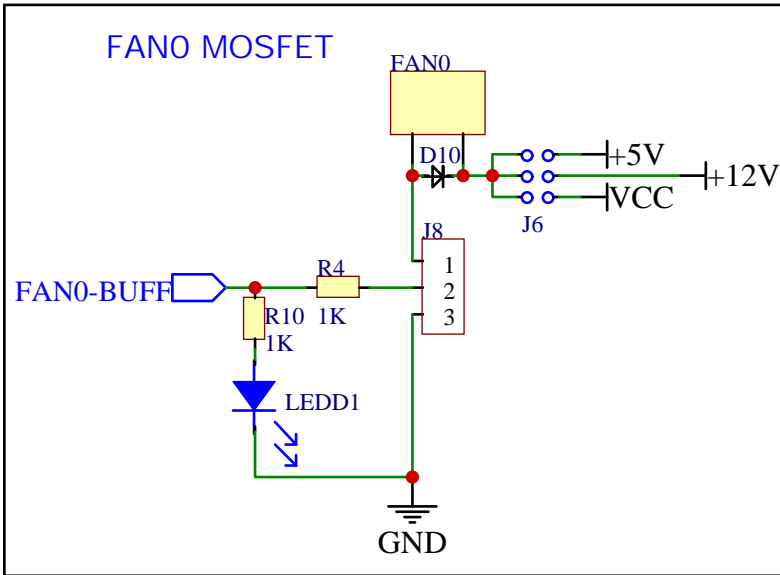
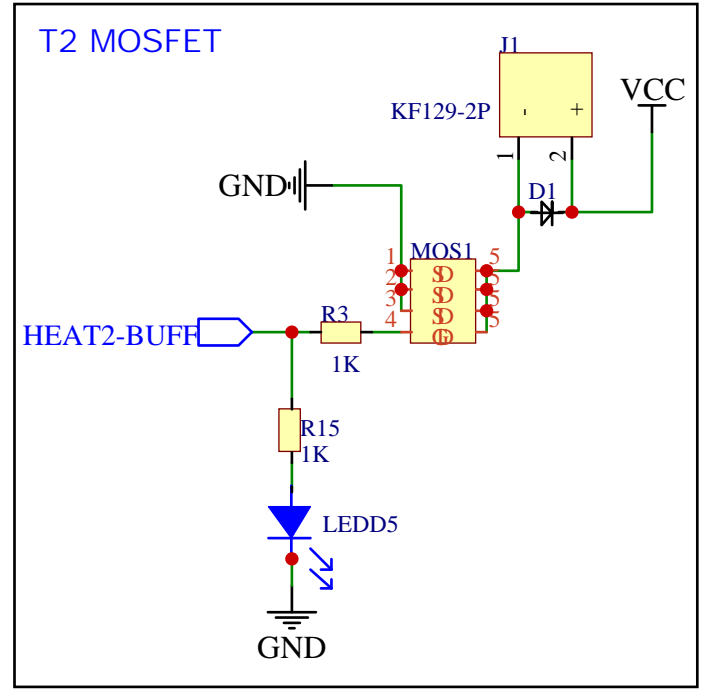
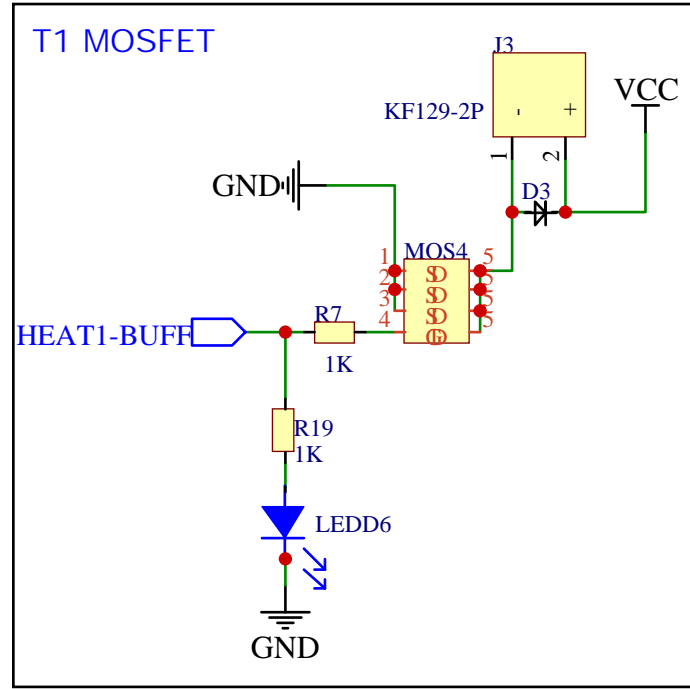
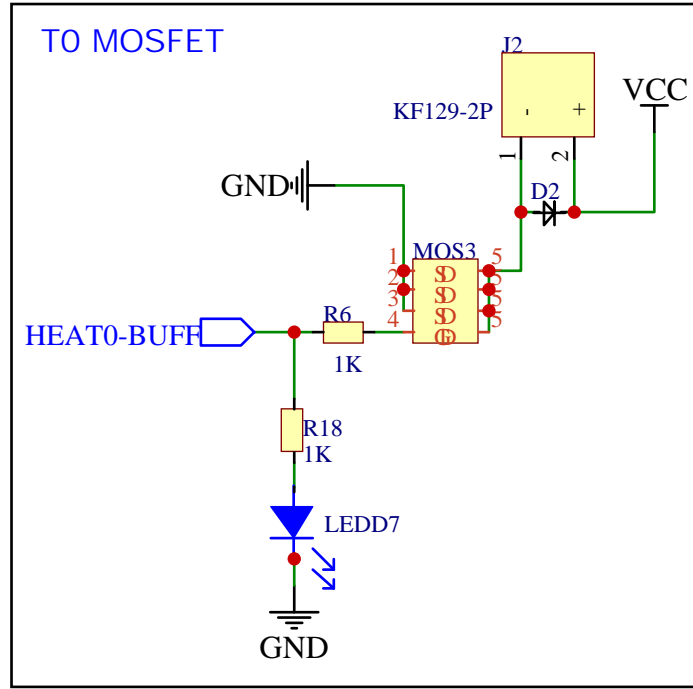
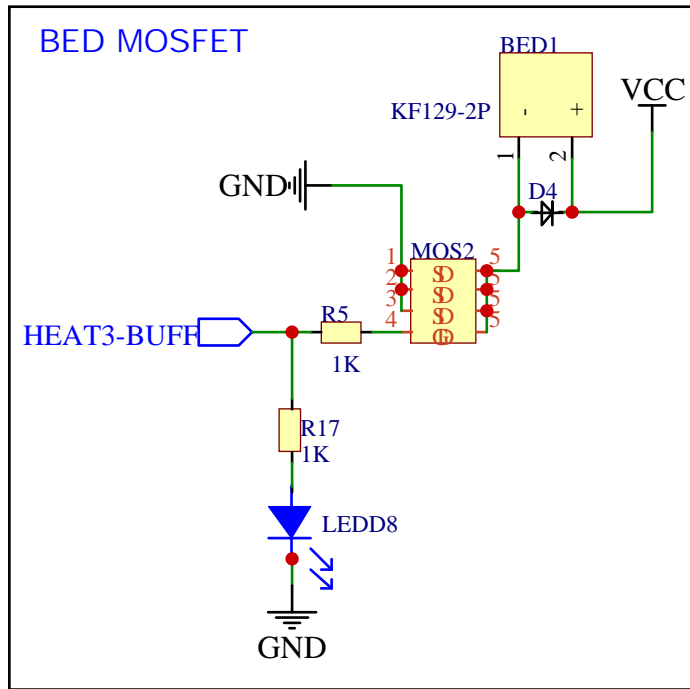
POWER

TITLE: Overview		REV: 1.1
	Company: FLYMAKER/MELLOW	Sheet: 1/8
	Date: 2021-12-17 Drawn By: jay_s_uk	

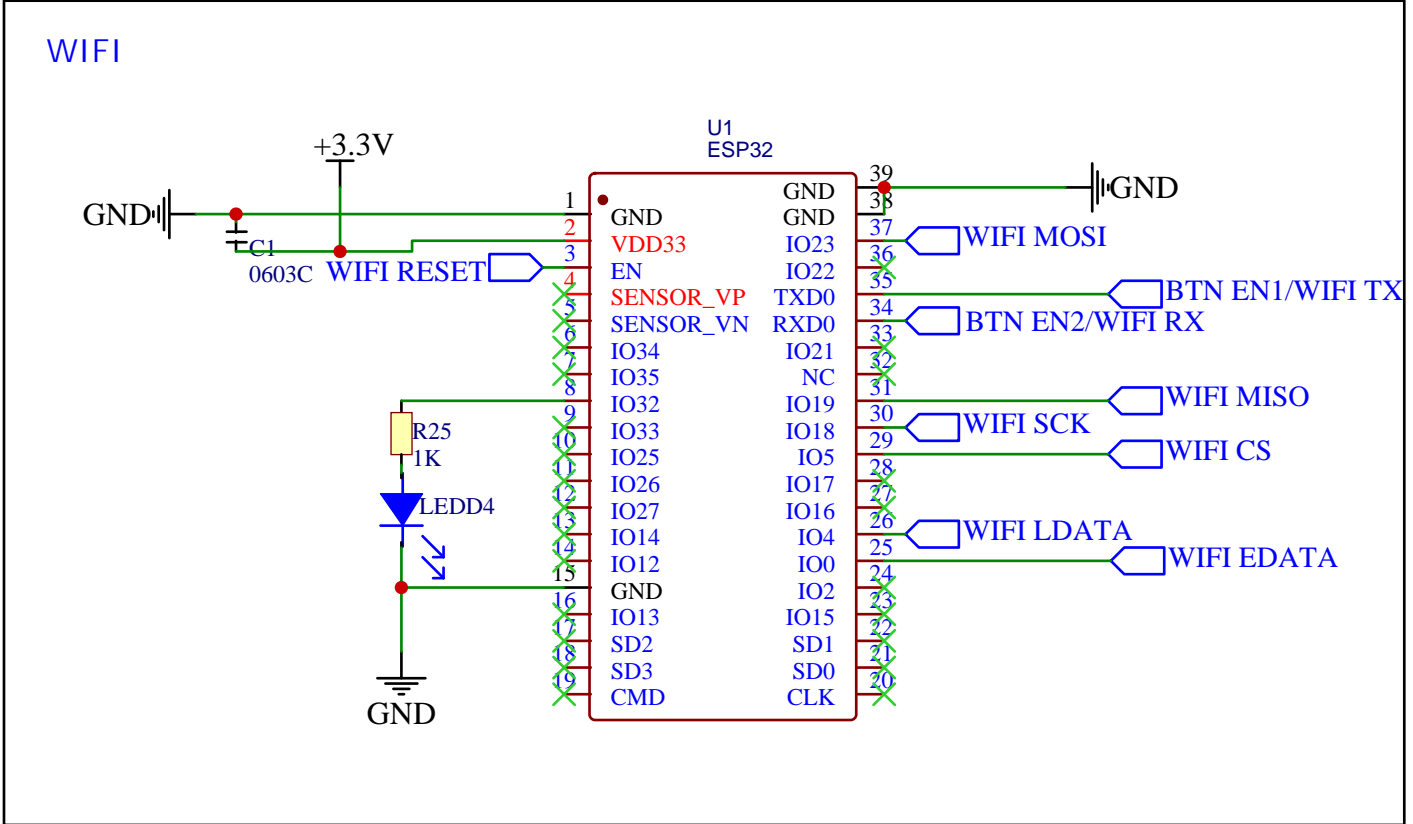
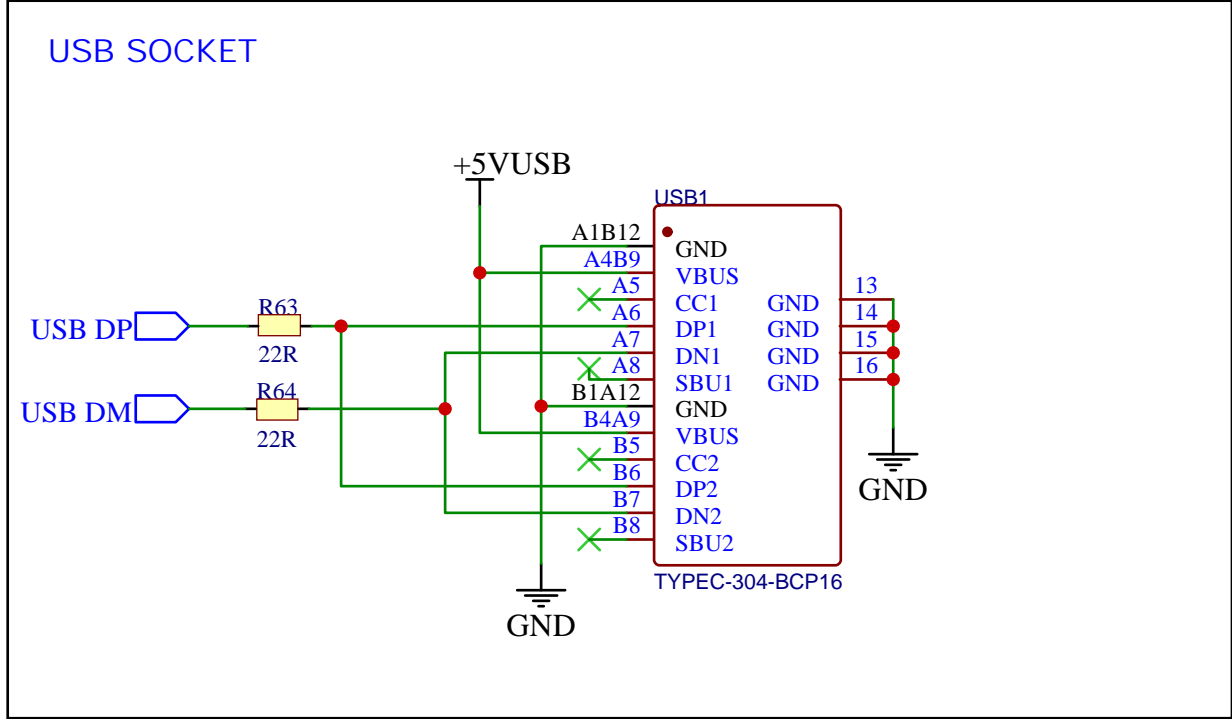
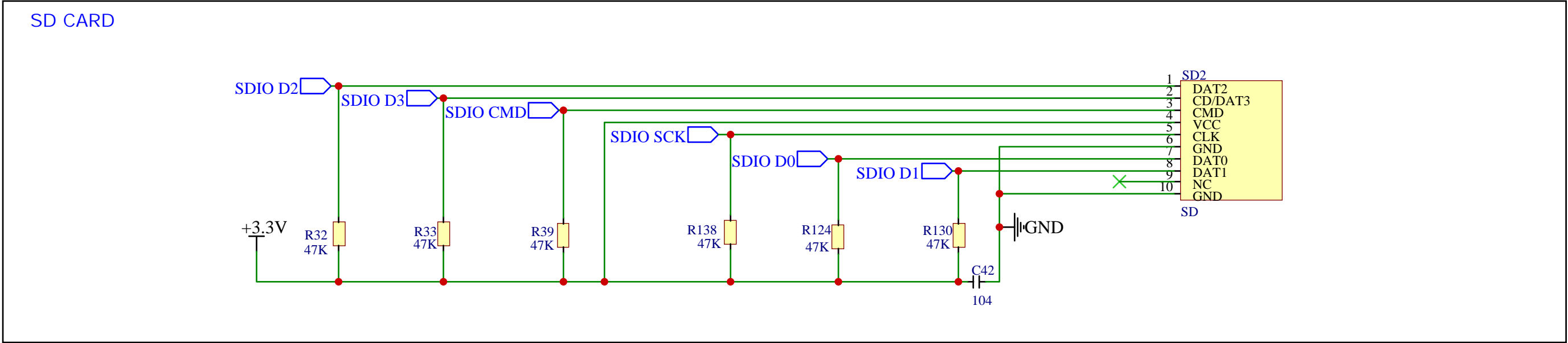


TITLE: PROCESSOR		REV: 1.1
	Company: FLYMAKER/MELLOW	Sheet: 2/8
	Date: 2021-12-17	Drawn By: jays_s_uk

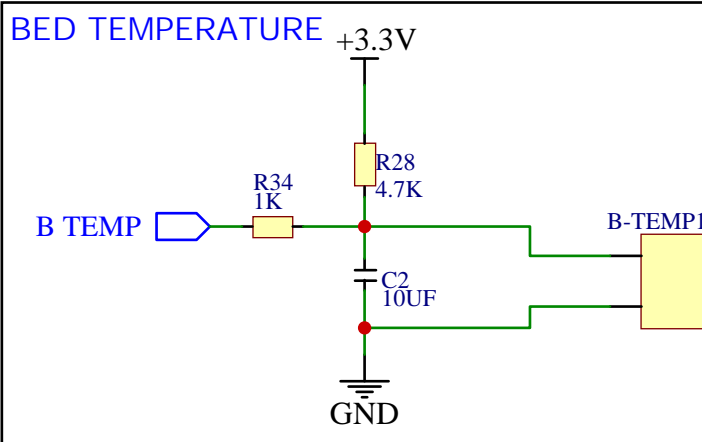
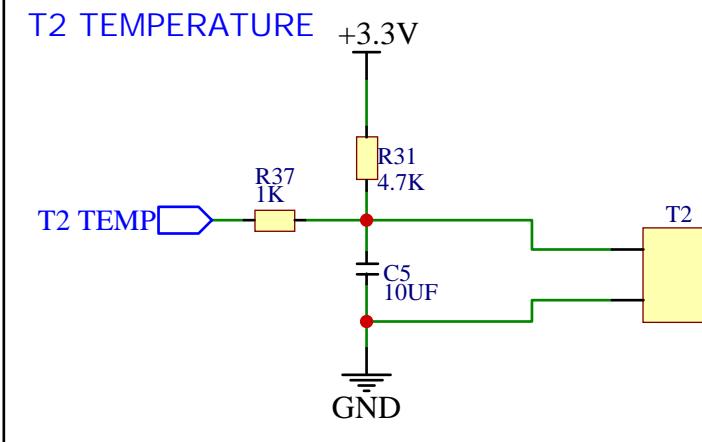
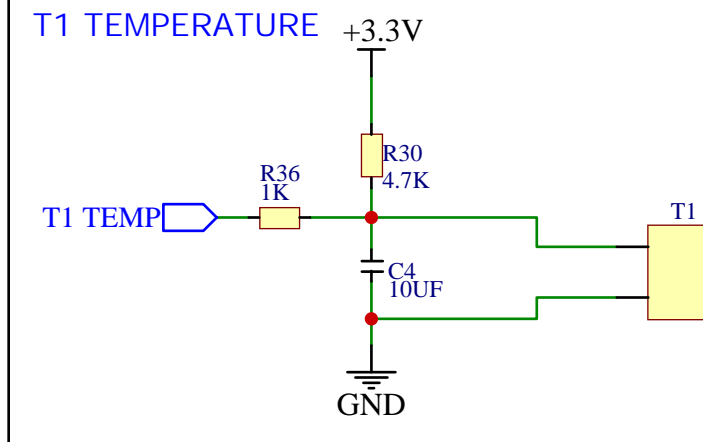
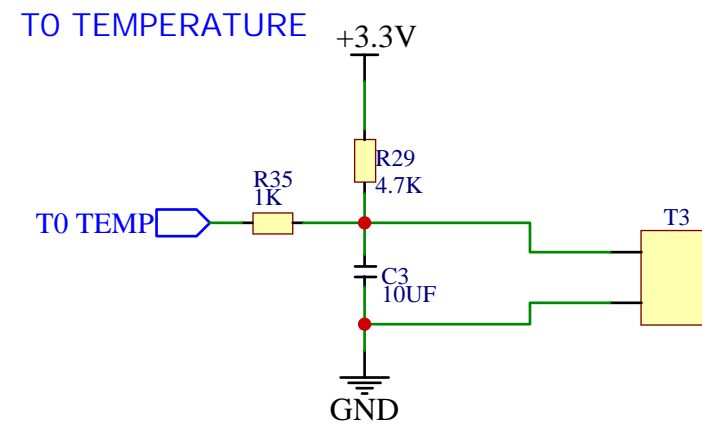
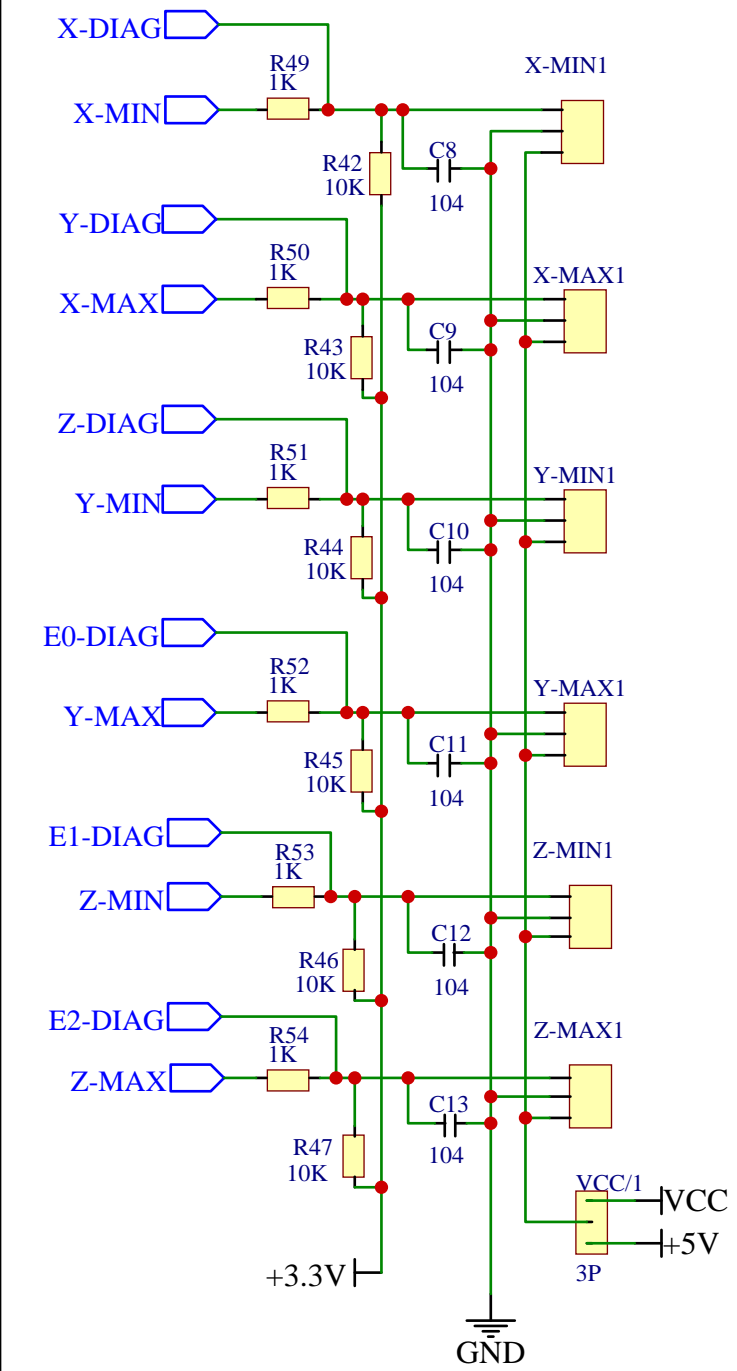





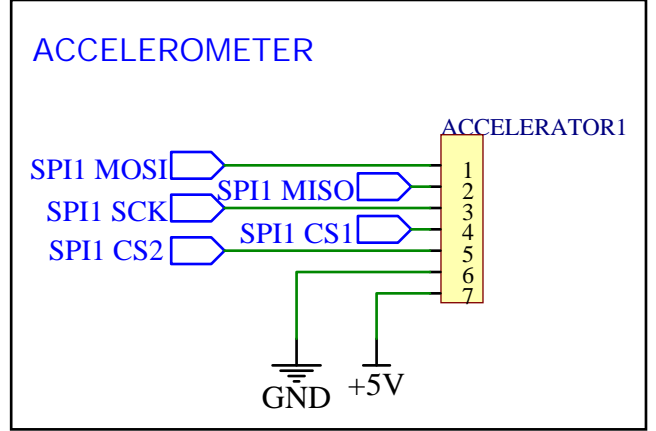
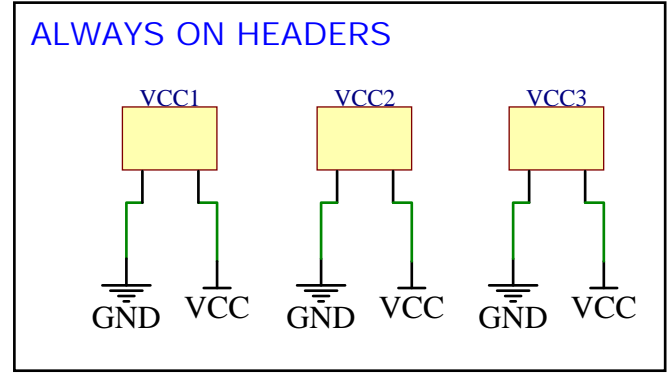
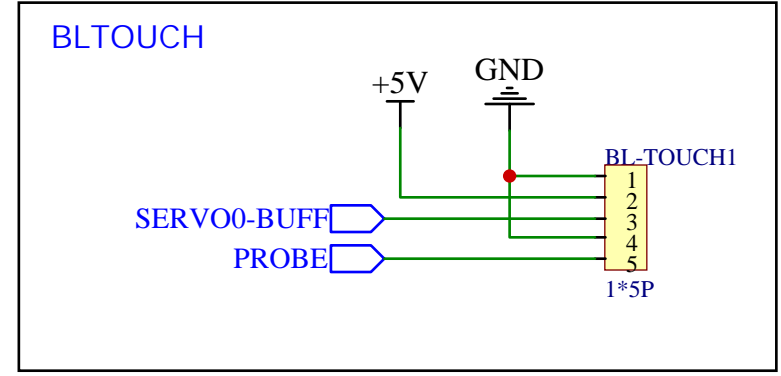
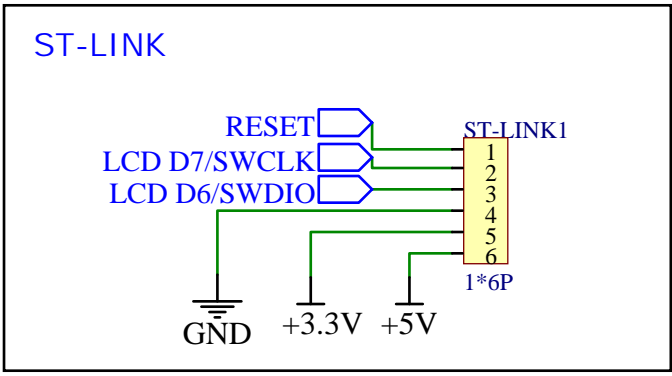
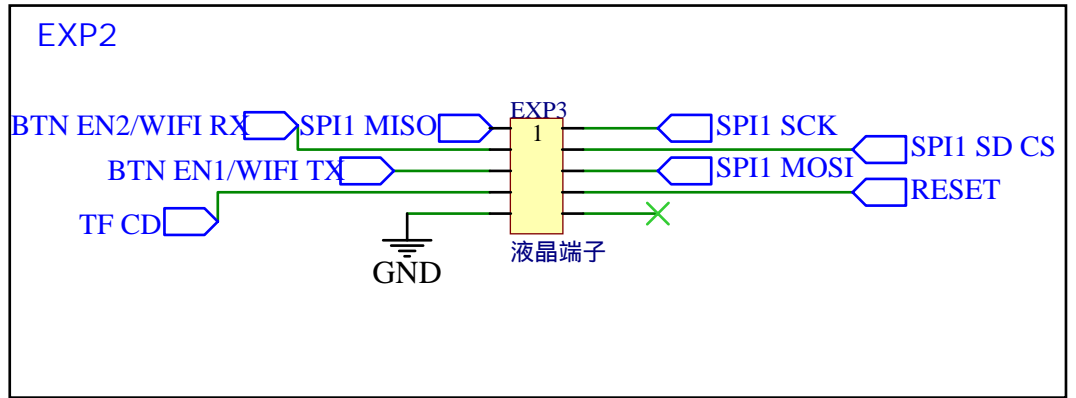
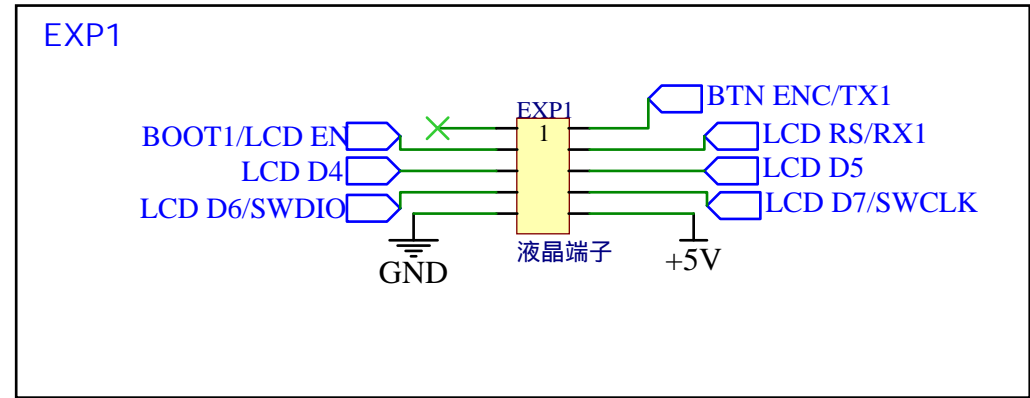
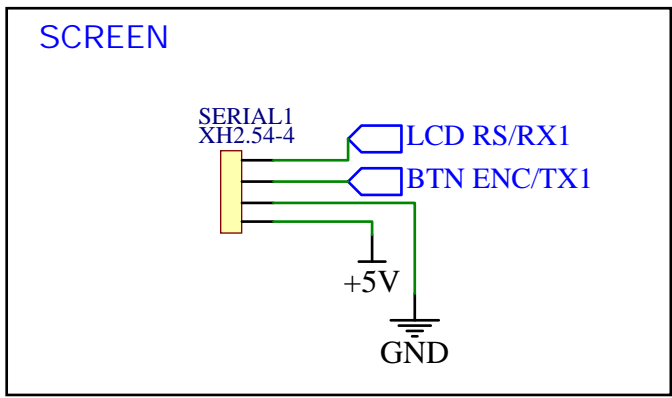
TITLE: HEATERS AND FANS		REV: 1.1
	Company: FLYMAKER/MELLOW	Sheet: 4/8
	Date: 2021-12-17	Drawn By: jays_s_uk

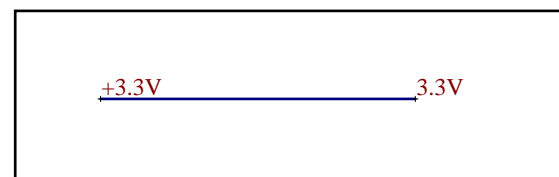
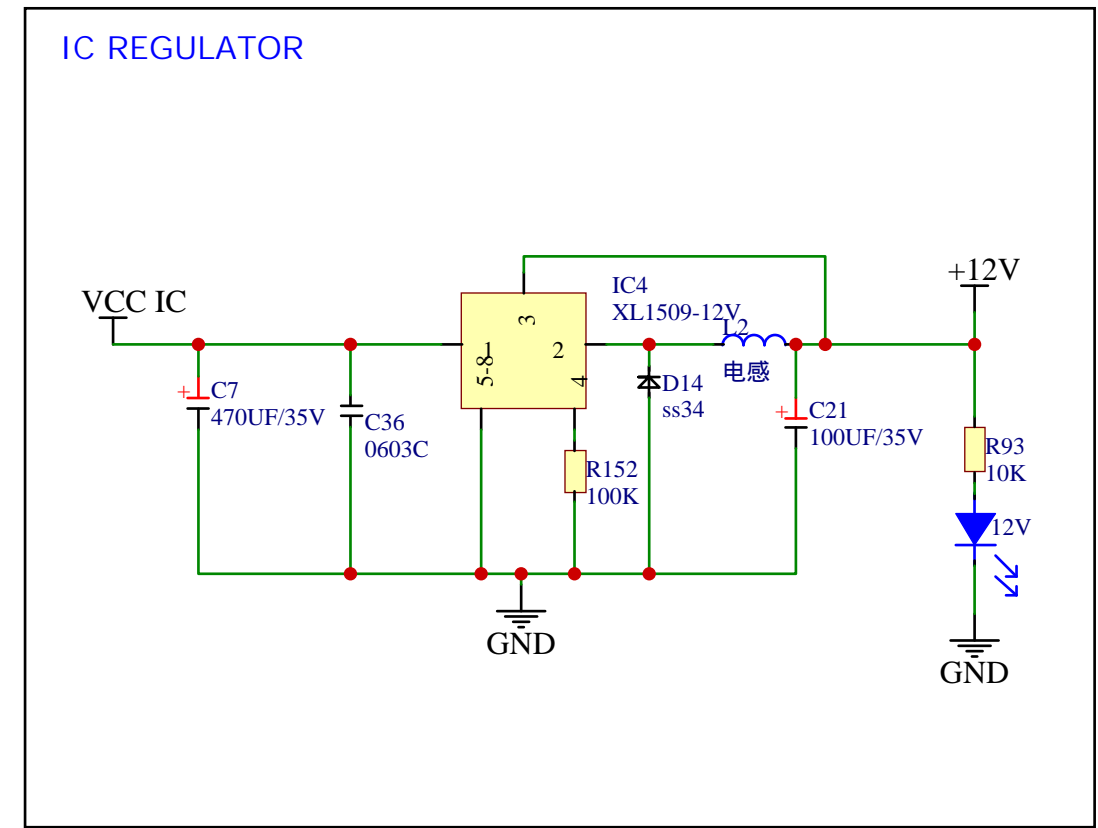
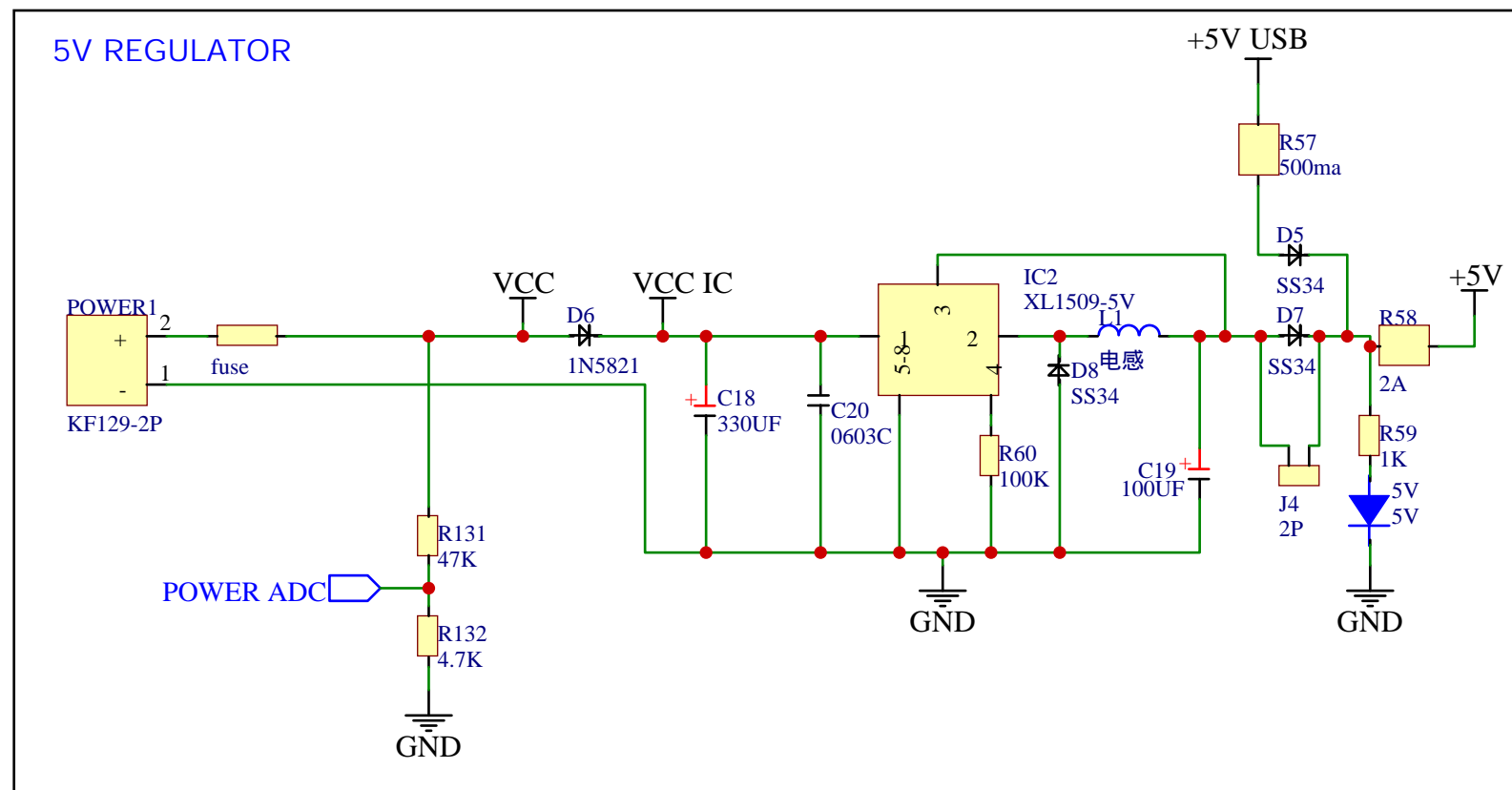
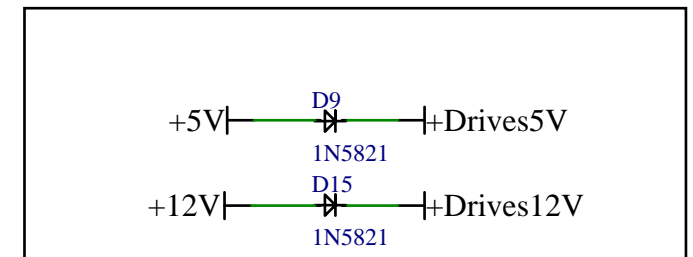
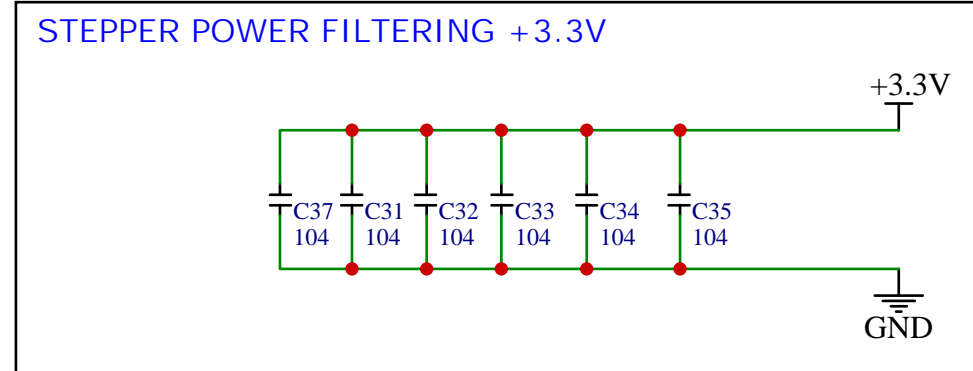
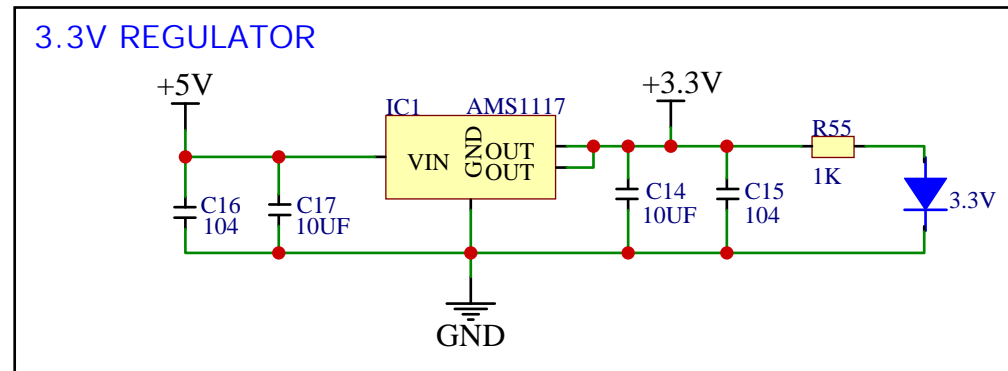
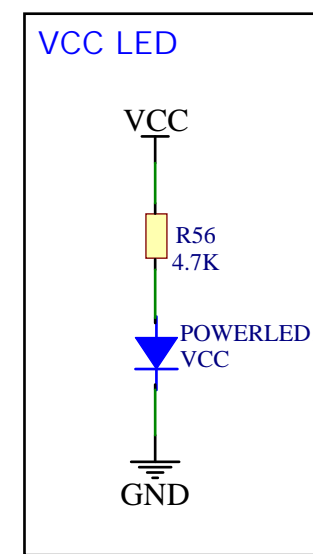
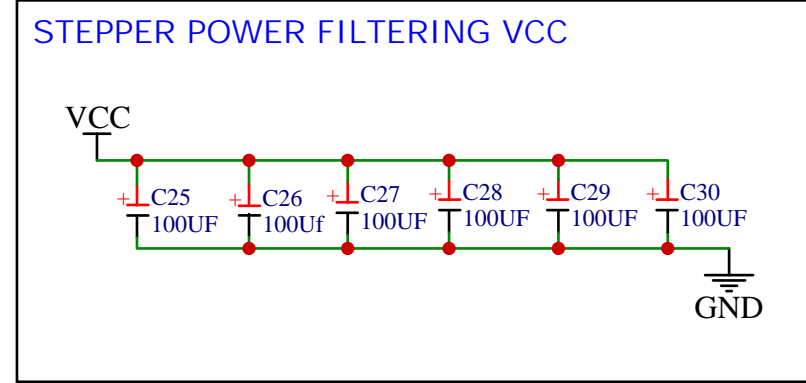
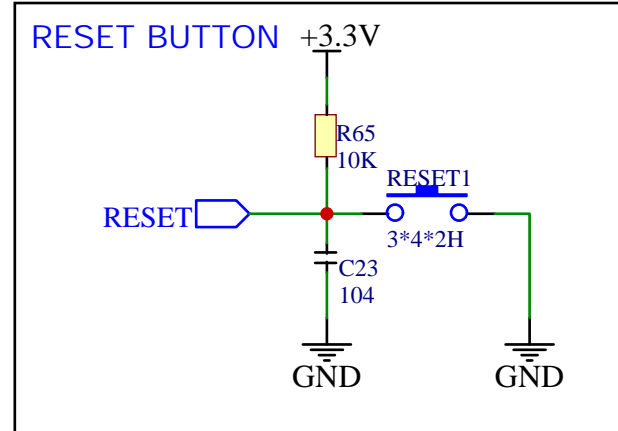
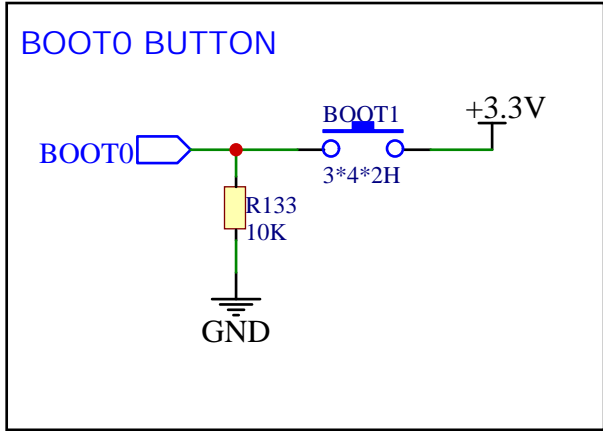



ENDSTOPS



TITLE: ENDSTOPS AND TEMPERATURE SENSORS		REV: 1.1
	Company: FLYMAKER/MELLOW	Sheet: 6/8
	Date: 2021-12-17 Drawn By: jays_s_uk	





TITLE: POWER		REV: 1.1
	Company: FLYMAKER/MELLOW	Sheet: 8/8
	Date: 2021-12-17	Drawn By: jays_s_uk