

Title		
Size	Number	Revision
A4		
Date:	11/19/2022	Sheet of
File:	D:\3D打印主板\H5Power.SchDoc	Drawn By:

A

B

C

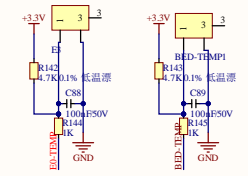
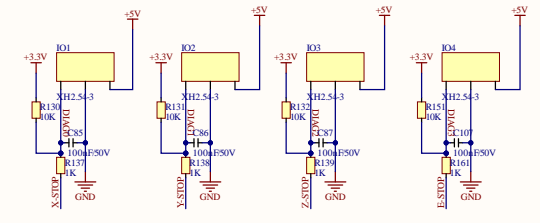
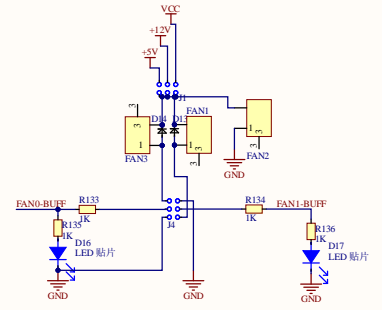
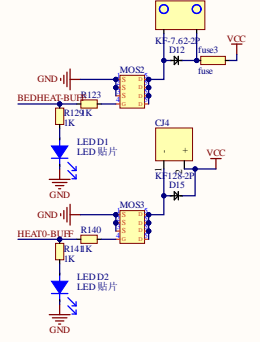
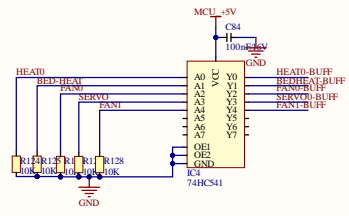
D

A

B

C

D



1

2

3

4

5

6

