

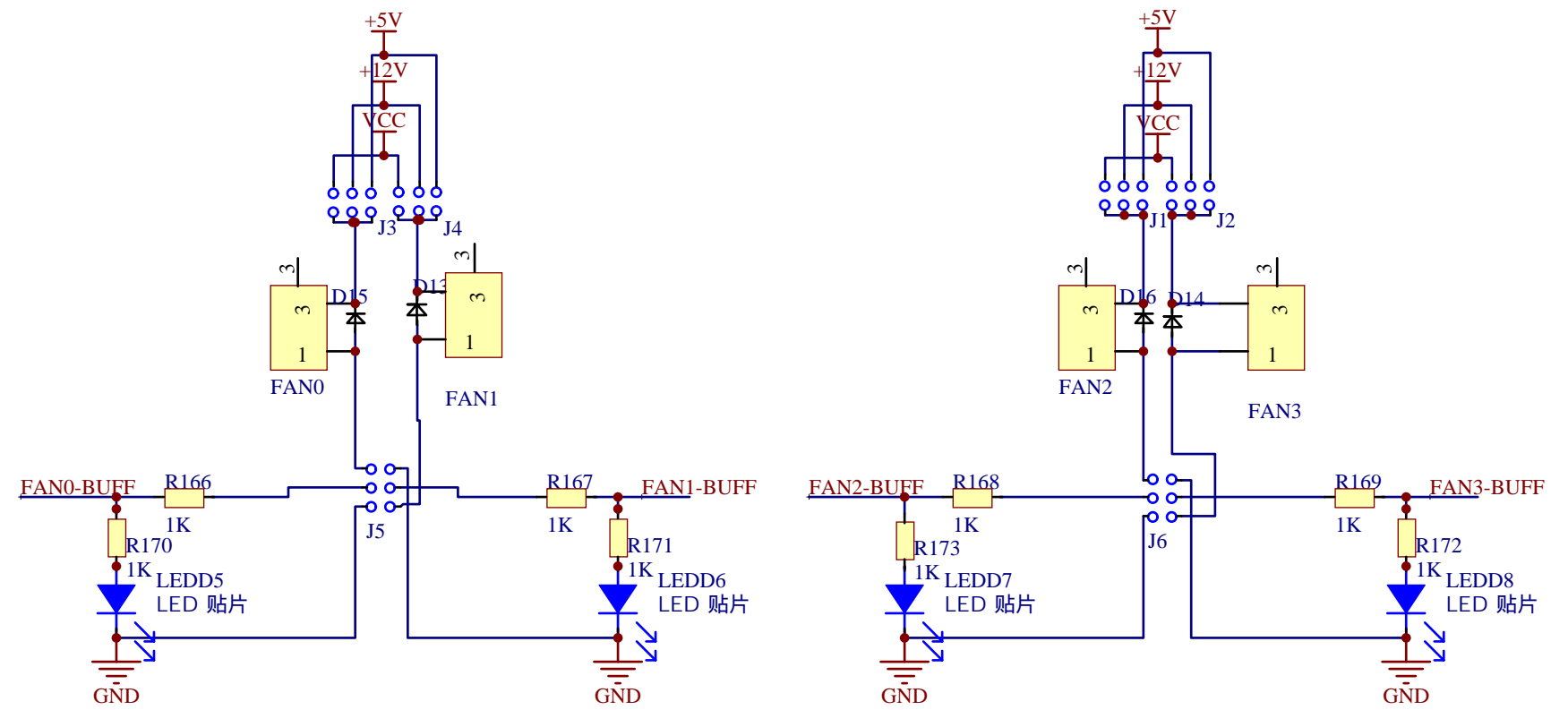
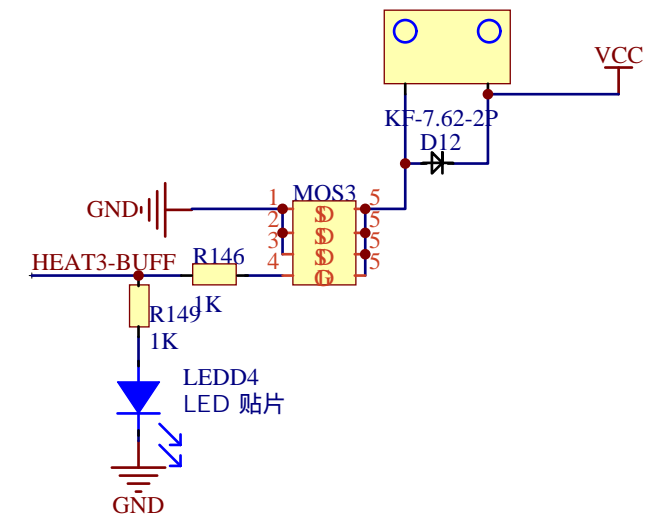
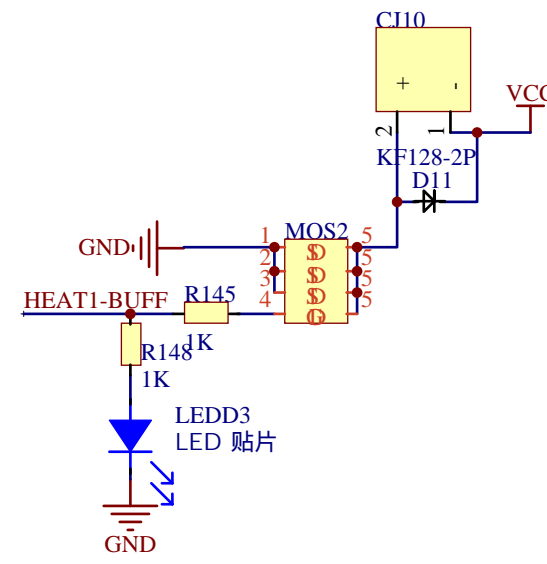
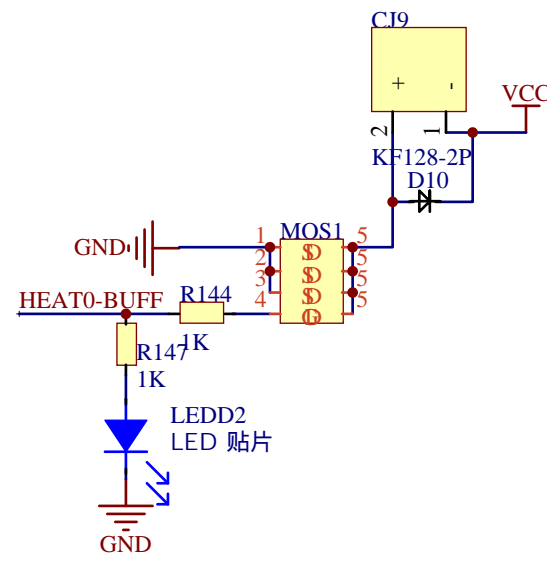
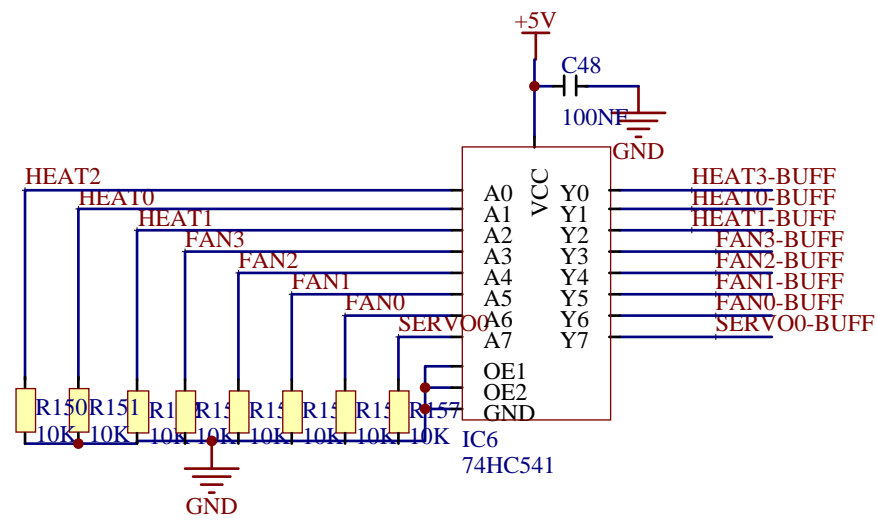
M0-S-POWER^{D5} M0-SAFE-POWER
DSS34

M1-S-POWER^{D6} M1-SAFE-POWER
DSS34

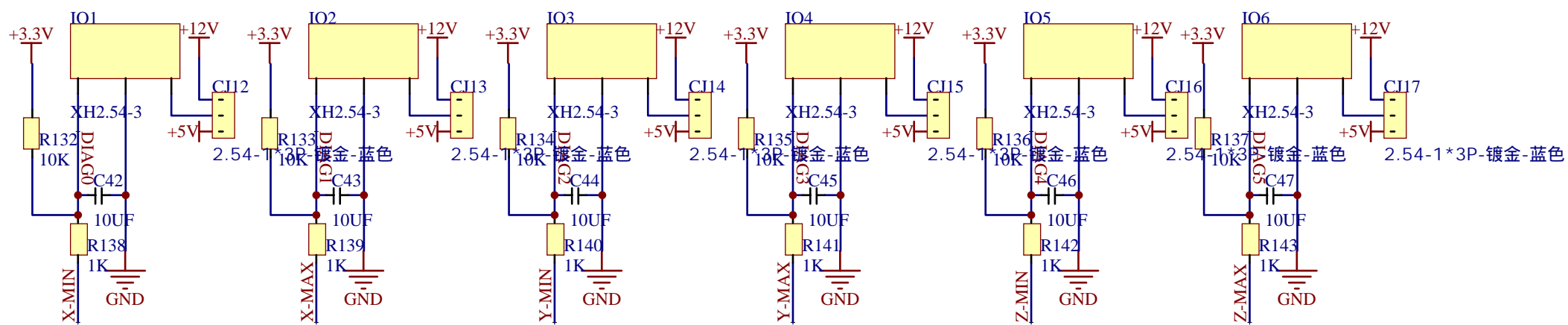
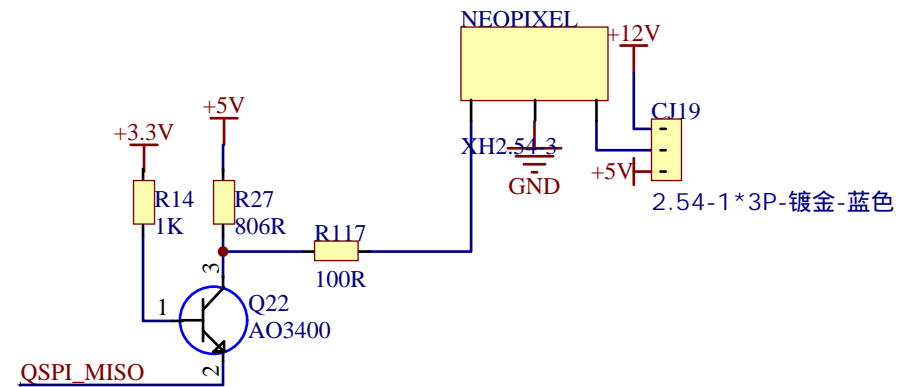
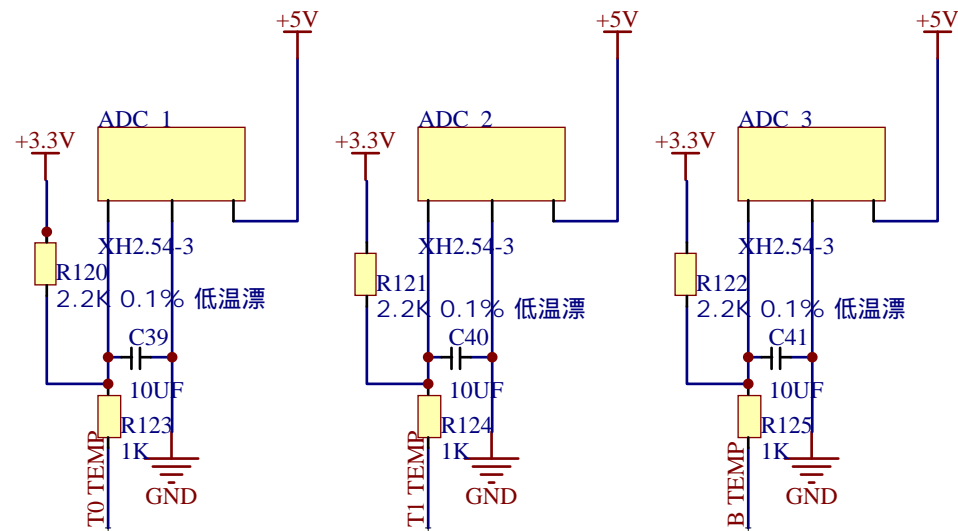
M2-S-POWER^{D7} M2-SAFE-POWER
DSS34

M3-S-POWER^{D8} M3-SAFE-POWER
DSS34

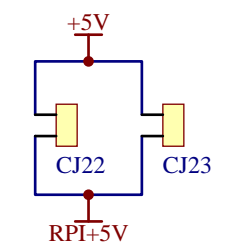
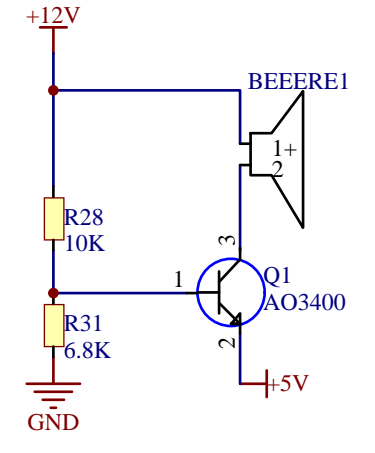
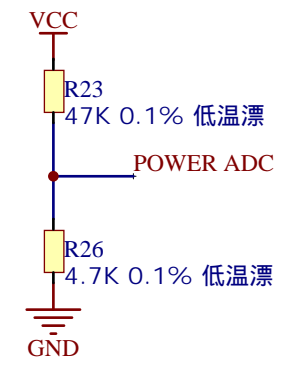
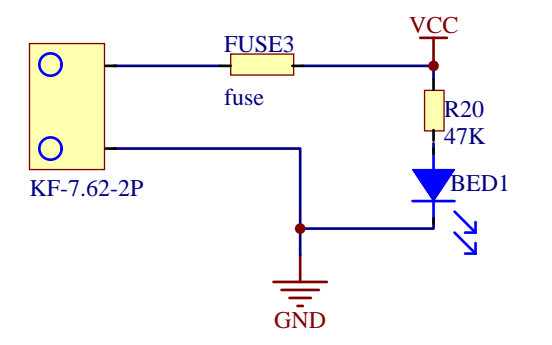
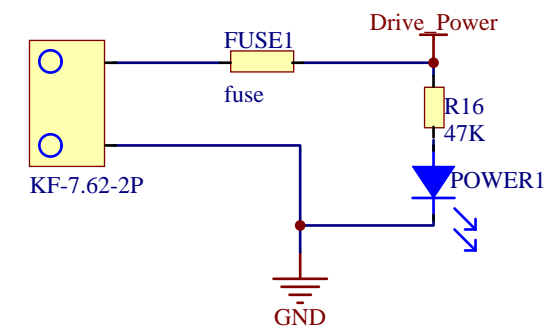
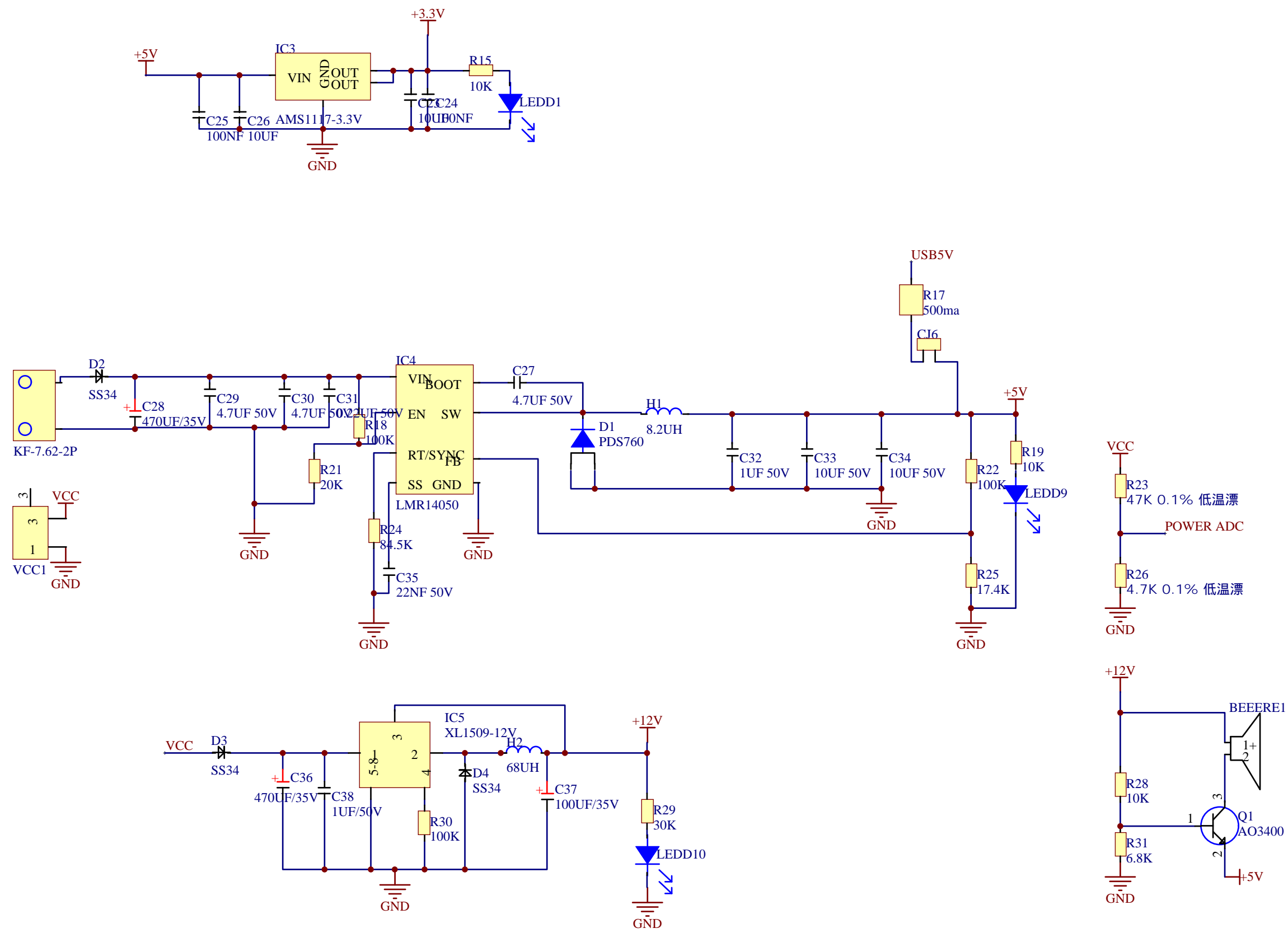
M4-S-POWER^{D9} M4-SAFE-POWER
DSS34

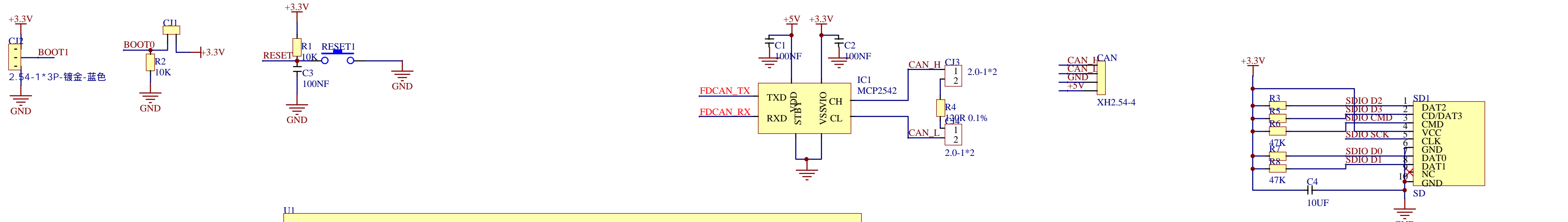


TITLE: Fly-Super5Pro Heating		REV: 1.0
嘉立创EDA	Company: Flymaker/Mellow	Sheet: 2/5
	Date: 2023-04-29	Drawn By: jay_s_uk



TITLE: Fly-Super5Pro IOs		REV: 1.0
嘉立创EDA	Company: Flymaker/Mellow	Sheet: 3/5
	Date: 2023-04-29	Drawn By: jay_s_uk





FAN0	22	PA0/UART4_TX/ADC1_IN16/USART2_CTS/TIM2_CH1_ETR/TIM2_5_CH1	TIM3_CH3/AD12_IN9/PB0	34	HEAT2
FAN1	23	PA1/UART4_RX/ADC1_IN16/USART2_RTS/TIM2_CH2/TIM5_CH2	TIM3_CH4/ADC12_IN5/PB1	35	B TEMP
FAN2	24	PA2/UART2_TX/ADC12_IN14/USART2_TX/TIM2_CH3/TIM5_CH3/TIM15_CH1	BOOT1/PB2/SPI3_MOSI	36	BOOT1
FAN3	25	PA3/UART2_RX/ADC12_IN15/USART2_RX/TIM2_CH4/TIM5_CH4	UART7_RX/TIM2_CH2/SPI1_3_6_SCK/JTDIO/PB3	89	SPI2 SCK
Z-UART	28	PA4/ADC12_IN18/USART2_CK/DAC_OUT1/SPI1_3_4_NSS	UART7_TX/TIM3_CH1/SPI1_3_6_MISO/JNTRST/PB4	90	SPI2 MISO
MOT SCK	29	PA5/ADC12_IN19/DAC1_OUT2/SPI1_6_SCK/TIN2_CH1	FDCAN2_RX/UART5_RX/TIM3_CH2/SPI1_3_6_MOSI/PB5	91	SPI2 MOSI
MOT MISO	30	PA6/ADC12_IN3/TIM3_13_CH1/SPI1_6_MISO	FDCAN2_TX/UART5_TX/USART1_TX/I2C1_4_CLK/TIM4_CH1/PB6	92	SPI2 SD CS
BEEP	67	PA7/ADC12_IN7/TIM3_CH2/TIM14_CH1/SPI1_6_MOSI	USART1_RX/FSMC_NL/I2C1_4_SDA/TIM4_CH2/PB7	93	X-MIN
TX1	68	PA8/USART1_CK/TIM1_CH1/I2C3_SCL/UART7_RX	FDCAN1_RX/USART4_RX/I2C1_4_SCL/SDIO_D4/TIM4_CH3/PB8	95	FDCAN_RX
RX1	69	PA9/USART1_TX/TIM1_CH2/SPI2_SCK	FDCAN1_TX/USART4_TX/I2C1_4_SDA/SDIO_D5/TIM4_CH4/PB9	96	FDCAN_TX
USB_DM	70	PA10/USART1_RX/TIM1_CH2	TIM2_CH3/I2C2_SCL/USART3_TX/PB10	46	X-UART
USB_DP	71	PA11/USART1_CTS/TIM1_CH4/USABDM/FDCAN1_RX	TIM2_CH4/I2C2_SDA/USART3_RX/PB11	47	X-EN
BTN_ENC	72	PA12/USART1_RTS/TIM1_ETR/USBDP/FDCAN1_TX	FDCAN2_RX/UART5_RX/SPI2_NSS/I2S2_WS/I2S2_SMBA1/TIM1_BKIN/PB12	51	WIFI CS
LCD_RS	76	PA13/JTMS/SWDIO	FDCAN2_TX/UART5_TX/SPI2_SCK/I2S2_CK/TIM1_CH1N/PB13	52	WIFI SCK
LCD_EN	77	PA14/JTCK/SWCLK	SPI2_MISO/TIM12_CH1/USART1_TX/PB14	53	WIFI MISO
		PA15/JTDI/SPI1_3_6_CS/UART7_TX	SPI2_MOSI/TIM12_CH2/USART1_TX/PB15	54	WIFI MOSI
LCD D4	81	PD0/FSMC_D2/(FDCAN1_RX)/UART4_RX	UART8_RX/TIM4_ETR/FSMC_NBL0/PE0	97	E1-UART
LCD D5	82	PD1/FSMC_D3/(FDCAN1_TX)/UART4_TX	UART8_TX/FSMC_NBL1/PE1	98	E1-STEP
SDIO_CMD	83	PD2/UART5_RX/TIM3_ETR/SDIO_CMD	SPI4_SCK/TRACECLK/FSMC_A23/PE2	1	E1-DIR
LCD D6	84	PD3/FSMC_CLK/(USART2_CTS)/SPI2_SCK	TRACED0/FSMC_A19/PE3	2	E1-EN
LCD D7	85	PD4/FSMC_NOE/(USART2_RTS)	SPI4_CS/TRACED1/FSMC_A20/PE4	3	E0-STEP
TF_CD	86	PD5/FSMC_NWE/(USART2_TX)	SPI4_MISO/TIM15_CH1/TRACED2/FSMC_A21/PE5	4	E0-DIR
BTN_EN1	87	PD6/FSMC_NWAIT/(USART2_RX)/SPI3_MOSI	SPI4_MISO/TIM15_CH2/TRACED3/FSMC_A22/PE6	5	SERVOO
BTN_EN2	88	PD7/FSMC_NE1/FSMC_NCE2/(USART2_CK)/SPI1_MOSI	UART7_RX/PE7	37	Z-STEP
WIFI_RX	55	PD8/FSMC_D13/USART3_TX	UART7_TX/PE8	38	Z-DIR
WIFI_TX	56	PD9/FSMC_D14/USART3_RX	USART7_TX/PE8	39	Z-EN
WIFI_EDATA	57	PD10/FSMC_D15/(USART3_CK)	TIM1_CH1/PE9	40	Y-UART
WIFI TrReadyPin	58	PD11/FSMC_A16/(USART3_CS)	TIM1_CH2/FSMC_D7/PE10	41	Y-STEP
HEAT0	59	PD12/FSMC_A17/USART3_RTS/TIM4_CH1/I2C4_SCL	SPI4_CS/TIM1_CH2/FSMC_D8/PE11	42	Y-DIR
HEAT1	60	PD13/FSMC_A18/TIM4_CH2/I2C4_SDA	SPI4_SCK/TIM1_CH3N/FSMC_D9/PE12	43	Y-EN
WIFI RESET	61	PD14/FSMC_D0/TIM4_CH3	SPI4_MISO/TIM1_CH3/FSMC_D10/PE13	44	X-STEP
	62	PD15/FSMC_D1/TIM4_CH4	SPI4_MOSI/TIM1_CH4/FSMC_D11/PE14	45	X-DIR
			TIM1_BKIN/FSMC_D12/PE15		
E0-UART	15	PC0/ADC123_IN10		14	RESET
E0-EN	16	PC1/ADC123_IN11/SPI2_MOSI		94	BOOT0
probe	17	PC2/ADC3_IN1/SPI2_MISO		6	VBAT
POWER_ADC	18	PC3/ADC3_IN1/SPI2_MOSI			
T0_TEMP	32	PC4/ADC12_IN14			
T1_TEMP	33	PC5/ADC12_IN8			
Z-MIN	63	PC6/I2S3_MCK/SDIO_D6/TIM3_8_CH1/USART_TX	VDD_1	50	+3.3V
Y-MIN	64	PC7/I2S3_MCK/SDIO_D7/TIM3_8_CH2/USART6_RX	VDD_2	75	+3.3V
SDIO D0	65	PC8/SDIO_D0/TIM3_8_CH3	VDD_3	100	+3.3V
SDIO D1	66	PC9/SDIO_D1/TIM3_8_CH4/I2C3_SDA	VDD_5	11	+3.3V
SDIO D2	78	PC10/USART4_TX/SDIO_D2/USART3_TX/SPI3_SCK	VDD	27	+3.3V
SDIO D3	79	PC11/USART4_RX/SDIO_D3/USART3_RX/SPI3_MISO	VSS_2	74	+3.3V
SDIO SCK	80	PC12/UART5_TX/SDIO_CK/USART3_CK/SPI3_MOSI	VSS_3	99	+3.3V
X-MAX	7	PC13/TAMPER-RTC	VSS_5	10	+3.3V
Y-MAX	8	PC14/OSC32_IN	VSS	49	+3.3V
Z-MAX	9	PC15/OSC32_OUT	VSS	26	+3.3V
VCAP_1	48		VSSA	19	+3.3V
VCAP_2	73		VDDA	21	+3.3V
OSC_IN	12		VREF+	20	+3.3V
OSC_OUT	13				

